

Alfa Laval RJ Mixer IM-20

Tank mixers

Introduction

The Alfa Laval IM 20 Rotary Jet Mixer effectively handles liquid mixing, gas dispersion, powder mixing, and tank cleaning while reducing mixing time, energy consumption and costs.

Patented technology based on proven Rotary Jet Head technology, it provides quick, efficient and uniform mixing without any batch rotation or the use of baffles. It also ensures greater process flexibility, making it easy to switch to new product formulations with diverse viscosities, densities and volumes.

Applications

The IM 20 Rotary Jet Mixer is designed for liquid mixing, gas dispersion (aeration, deaeration, carbonation), and powder mixing in process and storage vessels from 5 to 200 m³ in size across the dairy, food, beverage, brewery, healthcare, home and personal care, and biotechnology industries.

When the tank is empty, the IM 20 also acts as a superb Cleaning-in-Place (CIP) system, saving water, cleaning media and energy compared to using a spray ball CIP system.

Benefits

- Fast, effective liquid mixing performance in tanks
- Efficient gas and powder dispersion
- Can be used as tank cleaning machine
- Handles multiple applications
- Unmatched, cost-effective mixing performance
- Simplified, hygienic design, modest investment
- Optional pre-engineered skid-mounted pump unit available

Standard design

The Alfa Laval IM 20 Rotary Jet Mixer consists of a mixer body, turbine and nozzles. Compared to traditional systems using propeller mixers, there is no need for a shaft, seal or gearbox. Excellent mixing is achieved without the use of baffles or any batch rotation. Available in four different models (IM 10, IM 15, IM 20, IM 25), these mixers are designed for tank volumes from 100 litres in size and beyond, and they are capable of handling re-circulation flow rates up to 90 m³/h.

Working principle

Before round pumping or adding any products from upstream pipe works, ensure that the IM 20 Rotary Jet Mixer is positioned at the correct level and submerged into the liquid. Two or four nozzles feed the liquid, gas or powder into the



liquid in the tank. The nozzles rotate around both the horizontal and vertical axes in a 360° movement. This three-dimensional jet rotation enables the jets to reach the entire tank volume, providing fast, efficient mixing of the injected liquid, gas or powder without requiring batch rotation.

The complete system is built with a circulation loop, enabling liquid to be pumped from the bottom of the tank and back into the Rotary Jet Mixer. For faster mixing requirements, several rotary jet mixers can be installed in series.

Certificates

2.1 material certificate, ATEX.



TECHNICAL DATA

Lubricant:	Self-lubricating with the mixing/cleaning fluid
Connection:	Standard thread 2" BSP or NPT, female
Min. tank opening:	See dimension drawings

Pressure

Working pressure:	2-12 bar
Recommended pressure during mixing:	2-6 bar
Recommended pressure during CIP:	5-6.5 bar

PHYSICAL DATA

Materials

Materials:	AISI 316L, AISI 316, SAF 2205, PEEK, PVDF, Tefzel, Ceramics
------------	---

Weight

Weight:	12.2 kg
---------	---------

Temperature

Max. working temperature:	95 °C
Max. ambient temperature:	140 °C

Operation

Secure that the mixer is positioned in the correct level and submerged into the liquid before round pumping or when adding any additional products from any up-stream pipe works.

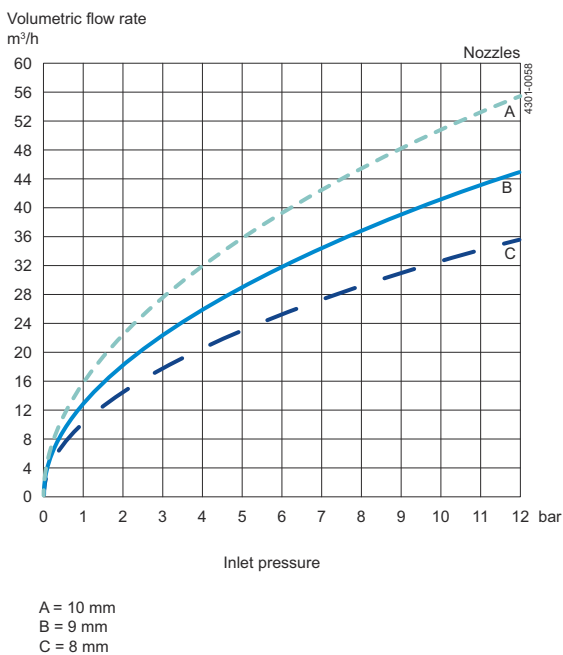
Qualification Documentation

Documentation specification

	ATEX approved machine for use in explosive atmospheres.
ATEX	Category 1 for installation in zone 0/20 in accordance with Directive 2014/34/EU II 1G Ex h IIC 85 °C ...175 °C Ga II 1D Ex h IIC T85 °C ...T140 °C Da

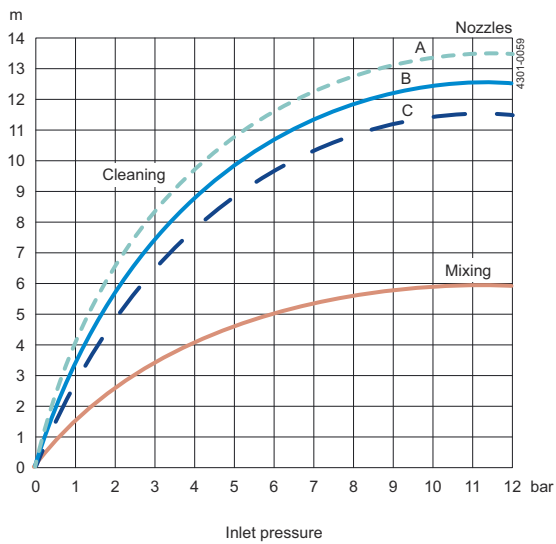
Flow rate

Relationship between inlet pressure and flow rate for liquids with waterlike properties for the IM 20 Rotary Jet Mixer.



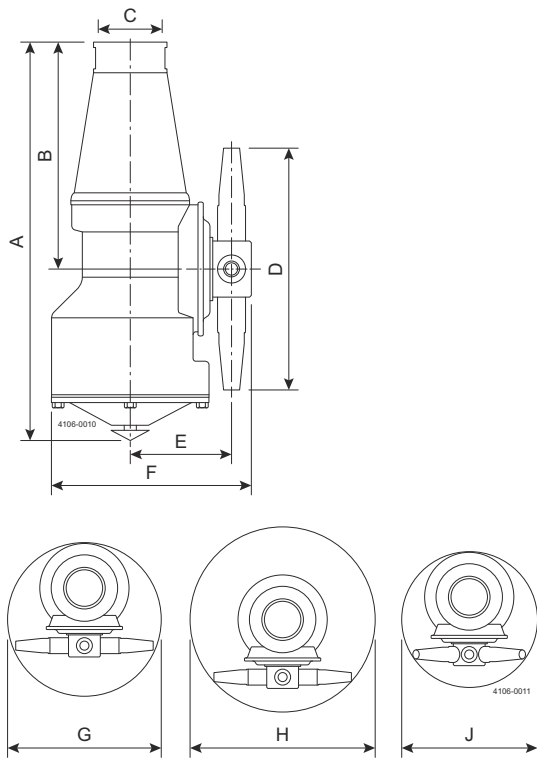
Reach of jet

Reach of jet for the IM 20 during cleaning, and indicative reach of jet for mixing of liquids with water-like properties.



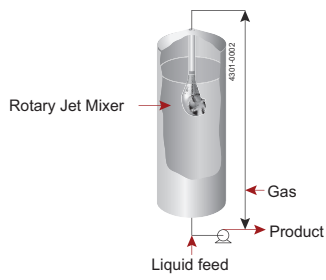
A = 10 mm
 B = 9 mm
 C = 8 mm

Dimensions (mm)



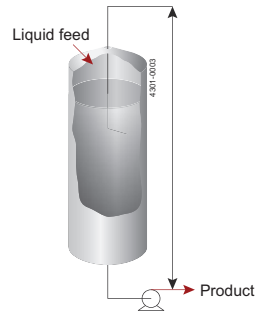
A	B	C	D	E	F	G	H	J
356	220	65	268	98	195	Ø280	Ø343	Ø232

The Rotary JetMixing technology

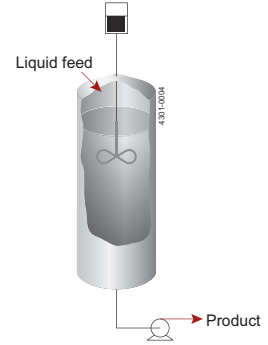


Traditional Mixing technology

Round pumping



Propeller mixing



This document and its contents are subject to copyrights and other intellectual property rights owned by Alfa Laval Corporate AB. No part of this document may be copied, re-produced or transmitted in any form or by any means, or for any purpose, without Alfa Laval Corporate AB's prior express written permission. Information and services provided in this document are made as a benefit and service to the user, and no representations or warranties are made about the accuracy or suitability of this information and these services for any purpose. All rights are reserved.

How to contact Alfa Laval

Up-to-date Alfa Laval contact details for all countries are always available on our website at www.alfalaval.com