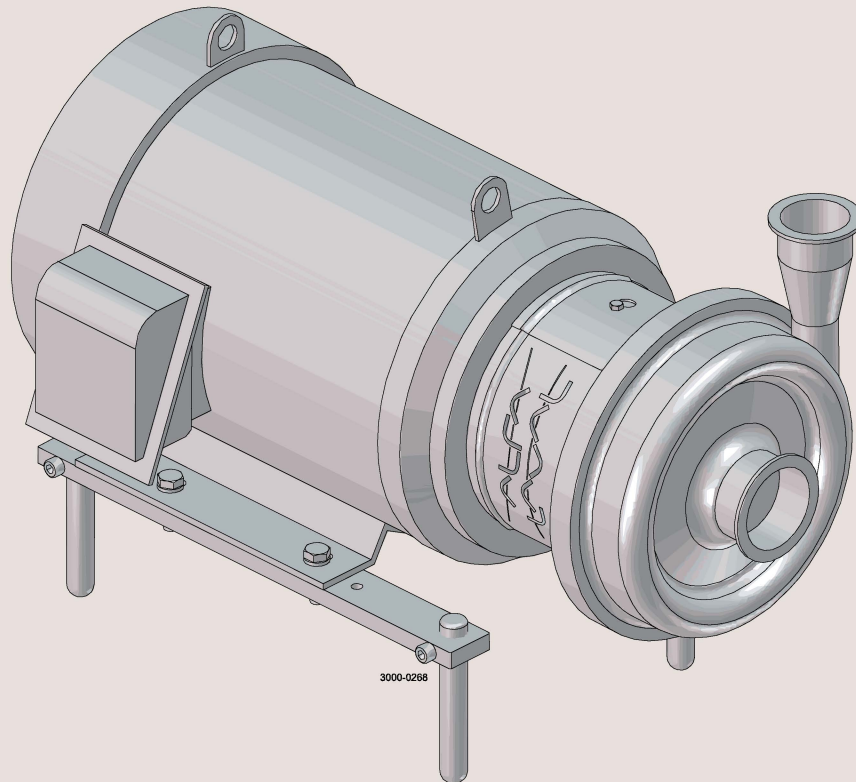




Spare Parts

LKH Centrifugal Pump



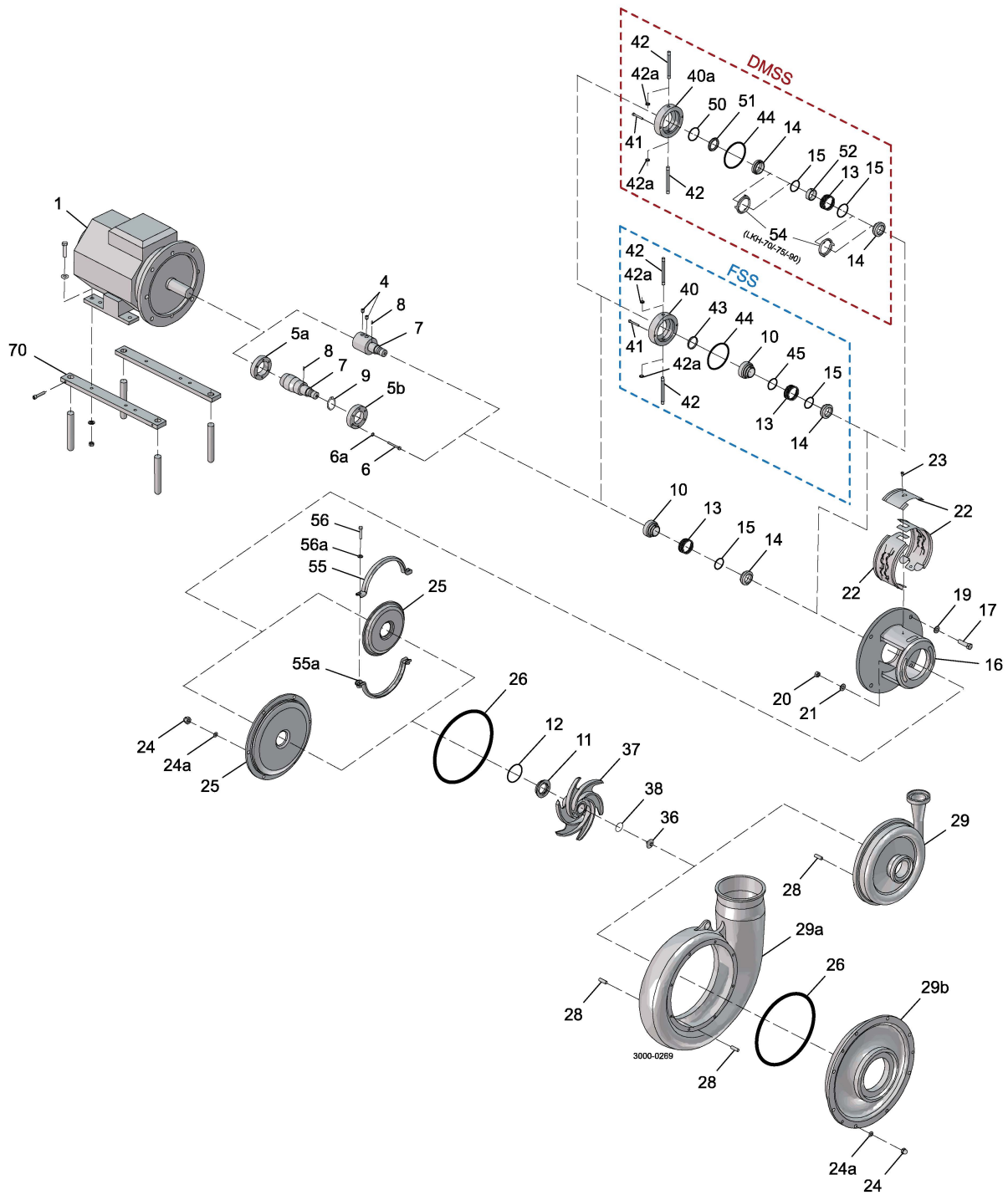
ESE01548-ENUS19 2023-08

Original manual

Table of contents

The information herein is correct at the time of issue but may be subject to change without prior notice

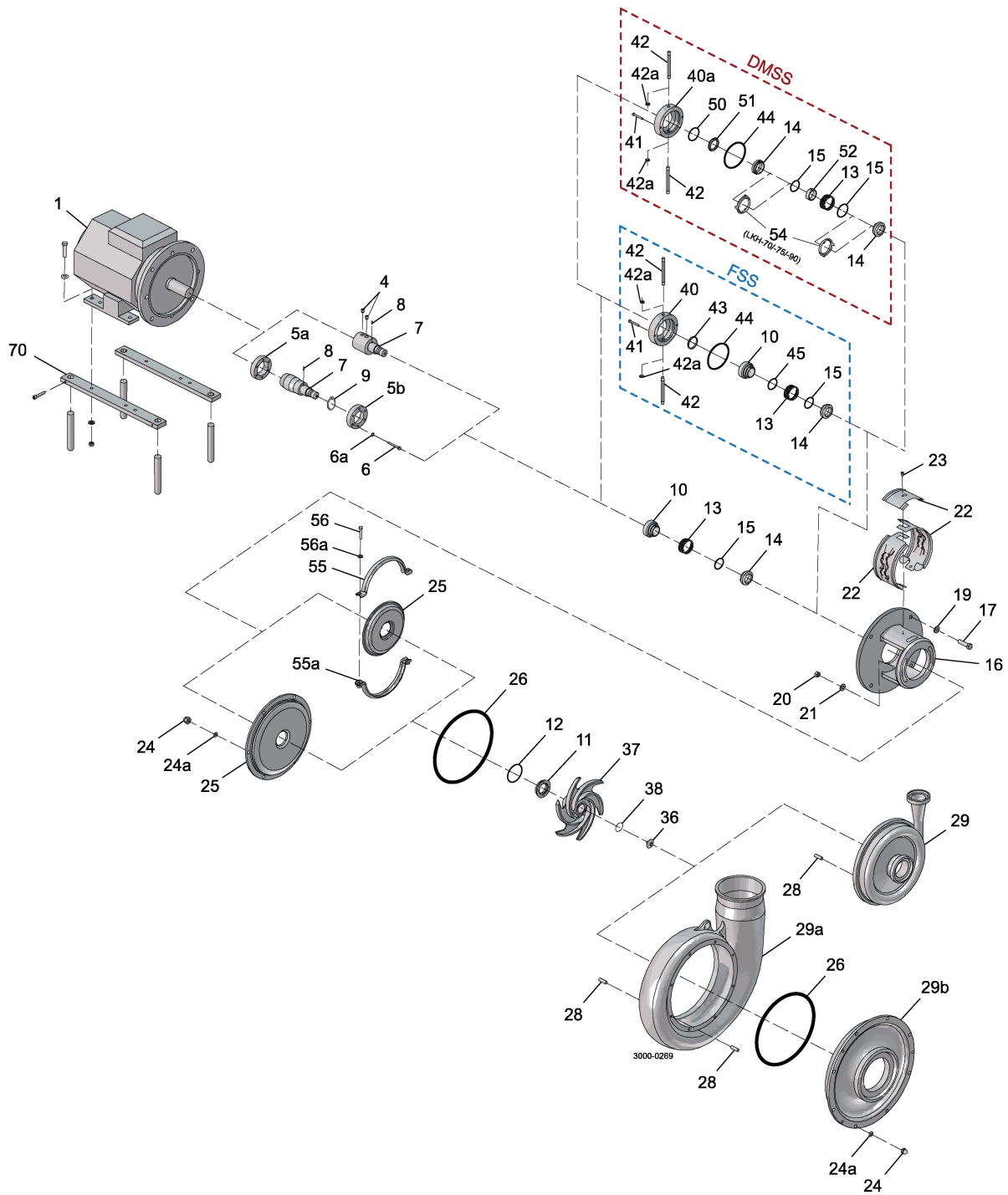
1. LKH – Product wetted parts	4
2. LKH – Motor depended parts	8
3. LKH – Shaft seal and service kits	12



LKH – Product wetted parts

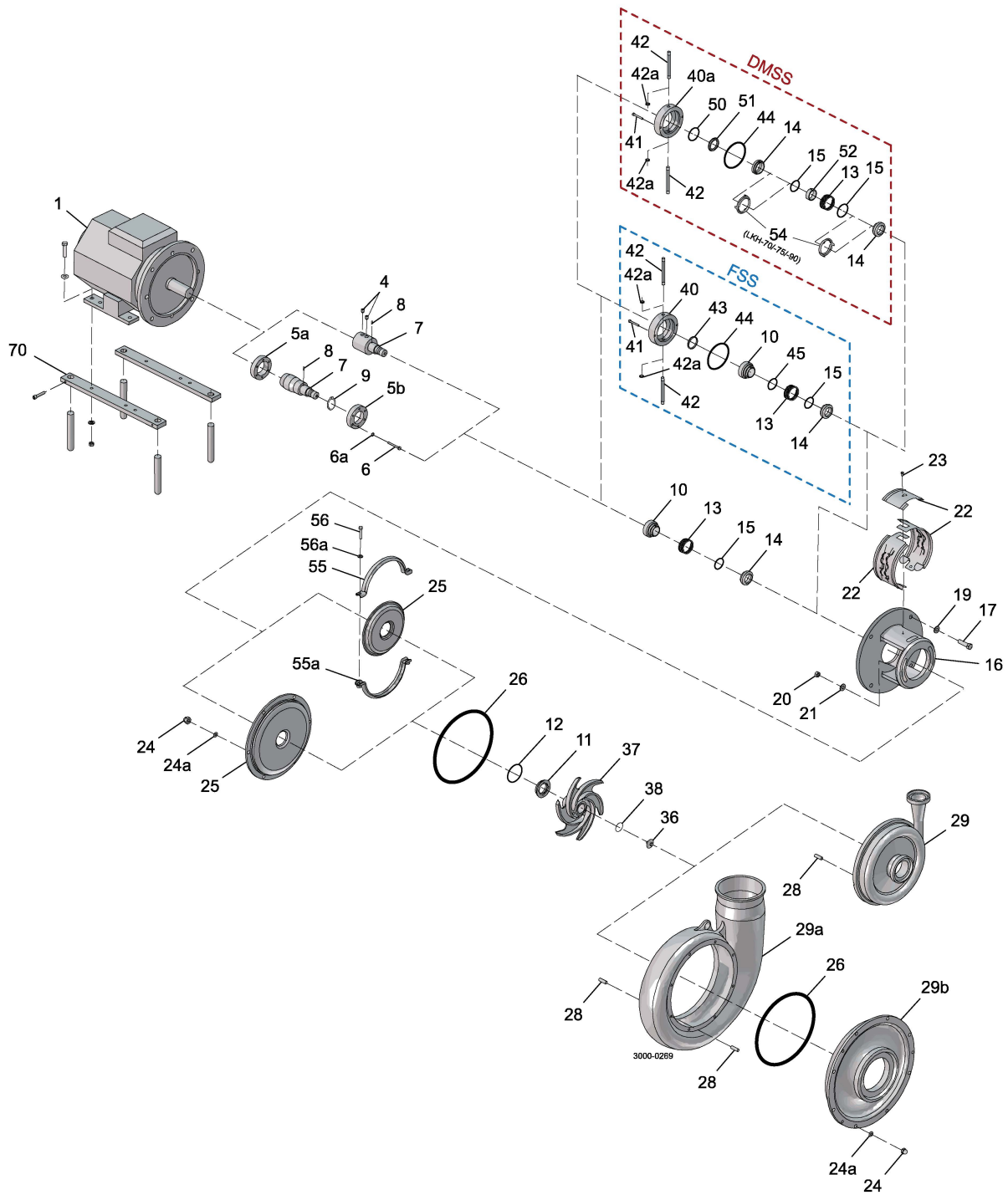
Pos	Qty	Denomination	LKH-5 1-3Hp	LKH-10 1-15Hp	LKH-15 2-15Hp	LKH-20 2-20Hp	LKH-25 2-30Hp
Pump Casing polished Ra ≤ 32							
29	1	Pump casing, Tri-clamp	9612128814	9612128812	9612129332	9612128921	9612129123
24	6	Cap nut		9611992592	9611992592	9611992592	9611992593
24a	6	Spring washer		9611991888	9611991888	9611991888	9611991887
28	6	Bolt		9611992168	9611992168	9611992168	9611992169
26	◆★△↕●	1 O-ring, EPDM (standard)	9611993560	9611992137	9611992137	9611992141	9611992983
	1	O-ring, NBR	9611993561	9611992139	9611992139	9611992143	9611992984
	1	O-ring, FPM	9611993562	9611992138	9611992138	9611992142	9611992985
	1	O-ring, FEP	9611993563	9611992140	9611992140	9611992144	9611992986
	1	Set of 5 O-rings EPDM for pumpcasing (pos 26)	8010023152	8010023153	8010023153	8010023154	8010023155
37	1	Impeller polished Ra ≤ 32	9612587606	9612131228	9612431413	9612131418	9612425216
36	1	Impeller screw polished Ra ≤ 32	9612362703	9612139603	9612139603	9612139603	9612139603
38	◆★△↕●	1 O-ring, EPDM (standard)	9611992750	9611992145	9611992145	9611992145	9611992145
	1	O-ring, NBR	9611992751	9611992147	9611992147	9611992147	9611992147
	1	O-ring, FPM	9611992752	9611992146	9611992146	9611992146	9611992146
	1	O-ring, FEP	9611993539	9611992148	9611992148	9611992148	9611992148
	1	Set of 5 O-rings EPDM for impellerscrew (pos 38)	8010023160	8010023161	8010023161	8010023161	8010023161
25	1	Back plate, polished Ra ≤ 32	9612138429	9612138420	9612138420	9612138421	9612138424
20	2	Nut	9611990360	9611990353	9611990353	9611990353	9611990353
21	2	Washer	9611991831	9611992559	9611992559	9611992559	9611992559
55	1	Upper clamp	9612589503				
55a	1	Lower clamp	9612589603				
56	2	Screw	9611991126				
56a	2	Spring washer	9611991888				

Pos	Qty	Denomination	LKH-35 3-30Hp	LKH-40 3-30Hp	LKH-45 3-30Hp	LKH-50 3-40Hp	LKH-60 7,5-60Hp
Pump Casing polished Ra ≤ 32							
29	1	Pump casing, Tri-clamp	9612128923	9612129121	9612129334	9612129330	9612355418
24	6	Cap nut	9611992593	9611992593	9611992593	9611992593	9611992593
24a	6	Spring washer	9611991887	9611991887	9611991887	9611991887	9611991887
28	6	Bolt	9611992169	9611992169	9611992169	9611992169	9611992169
26	◆★△↕●	1 O-ring, EPDM , (standard)	9611992983	9611992171	9611992983	9611992171	9611992171
	1	O-ring, NBR	9611992984	9611992173	9611992984	9611992173	9611992173
	1	O-ring, FPM	9611992985	9611992172	9611992985	9611992172	9611992172
	1	O-ring, FEP	9611992986	9611992174	9611992986	9611992174	9611992174
	1	Set of 5 O-rings EPDM for pumpcasing (pos 26)	8010023155	8010023156	8010023155	8010023156	8010023156
37	1	Impeller polished Ra ≤ 32	9612434116	9612131816	9612363013	9612132015	9612128315
36	1	Impeller screw polished Ra ≤ 32	9612139603	9612139603	9612139603	9612139603	9612139603
38	◆★△↕●	1 O-ring, EPDM (standard)	9611992145	9611992145	9611992145	9611992145	9611992145
	1	O-ring, NBR	9611992147	9611992147	9611992147	9611992147	9611992147
	1	O-ring, FPM	9611992146	9611992146	9611992146	9611992146	9611992146
	1	O-ring, FEP	9611992148	9611992148	9611992148	9611992148	9611992148
	1	Set of 5 O-rings EPDM for impellerscrew (pos 38)	8010023161	8010023161	8010023161	8010023161	8010023161
25	1	Back plate polished Ra ≤ 32	9612138424	9612138422	9612138424	9612138422	9612138422
20	2	Nut	9611990353	9611990353	9611990353	9611990353	9611990353
21	2	Washer	9611992559	9611992559	9611992559	9611992559	9611992559



LKH – Product wetted parts

Pos	Qty	Denomination	LKH-70 7.5-100Hp	LKH-75 15-50Hp	LKH-90 30-100Hp
Pump Casing polished Ra ≤ 32					
29	1	Pump casing, Tri-clamp	9612514729	9612514730	
29a	1	Pump casing, Tri-clamp			9613405503
Pump Cover polished Ra ≤ 32					
29b	1	Pump cover, Tri-clamp			9613405103
24	8	Cap nut	9611992593	9611992593	
24a	8	Washer	9611991887	9611991887	
28	8	Pin bolt	9611992169	9611992169	
24	16	Cap nut			9611992593
24a	16	Washer			9611991887
28	16	Pin bolt			9611992169
26	◆★△↕⊙●	1 O-ring, EPDM , (standard)	9611993211	9611994893	
		1 O-ring, NBR	9611993212	9611994894	
		1 O-ring, FPM	9611993213	9611994895	
		1 O-ring, FEP	9611993214		
		2 O-ring, EPDM (standard)			9613404701
		2 O-ring, NBR			9613404702
		2 O-ring, FPM			9613404703
		2 O-ring, FEP			9613404704
		1 Set of 5 O-rings EPDM for pumpcasing (pos 26)	8010023157	8010023684	8010023159
37	1	Impeller polished Ra ≤ 32	9612499403	9613456301	9613405902
36	1	Impeller screw polished Ra ≤ 32	9612927102	9612927105	9612927105
38	◆★△↕⊙●	1 O-ring, EPDM (standard)	9611993215	9611993215	9611993215
		1 O-ring, NBR	9611993216	9611993216	9611993216
		1 O-ring, FPM	9611993217	9611993217	9611993217
		1 O-ring, FEP	9611993218		9611993218
		1 Set of 5 O-rings EPDM for impellerscrew (pos 38)	8010023162	8010023162	8010023162
25	1	Back plate polished Ra ≤ 32	9612514607	9612514617	9612514611
20	4	Nut	9611990353	9611990353	9611990353
21	4	Washer	9611992559	9611992559	9611992559

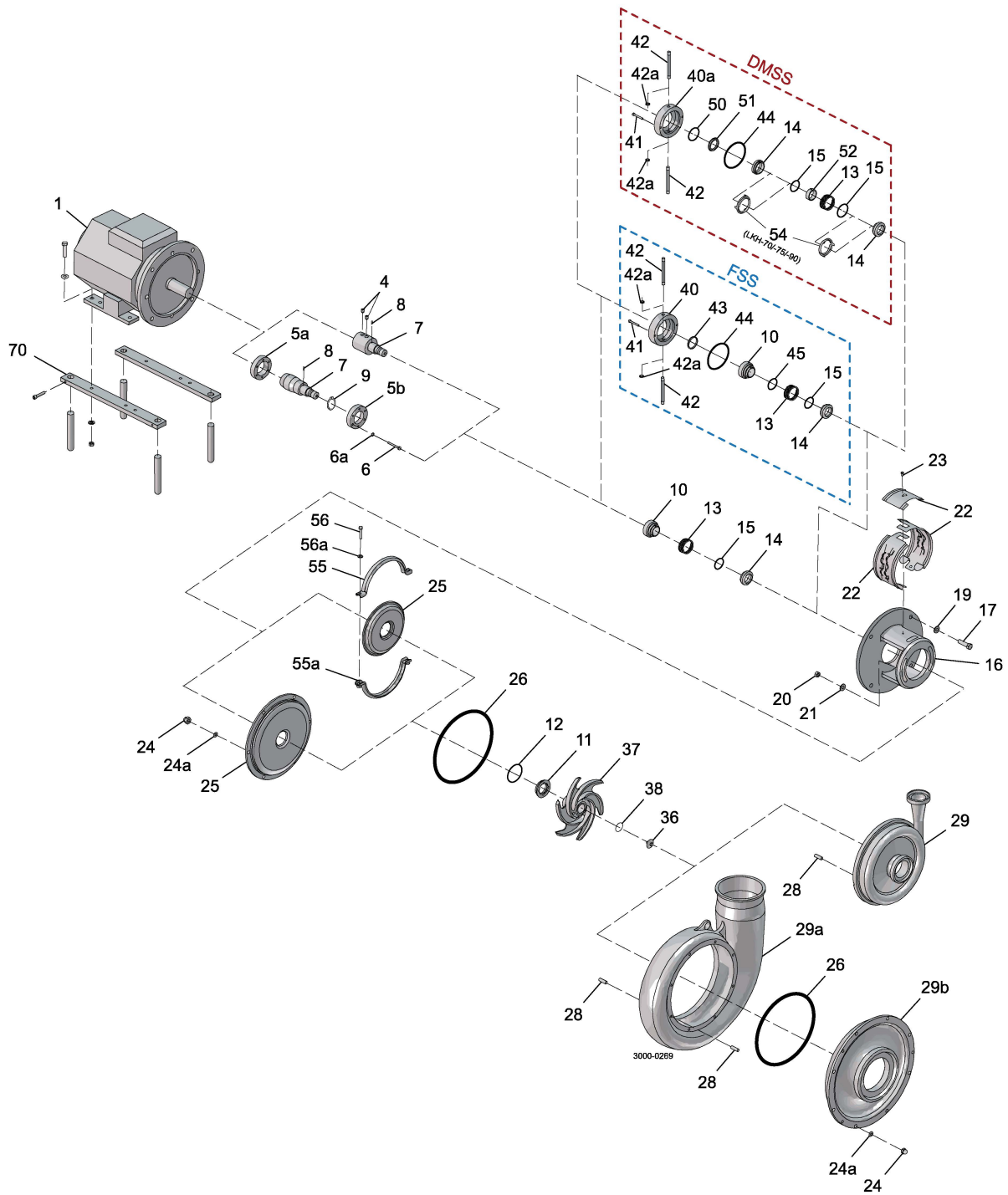


LKH – Motor depended parts

Pos	Qty	Denomination	LKH-5	LKH-5	LKH-5	LKH-10/60	LKH-10/60
			1 Hp	1,5-2 Hp	3 Hp	1-2 Hp	3-5 Hp
5a	1	Compression ring, with thread				9612133601	9612133602
5b	1	Compression ring, without thread				9612133701	9612133702
6	6	Screw				9611993196	9611993196
6a	6	Washer				9611993199	9611993199
4	2	Screw	9612587503	9612587504	9612587505		
7	1	Shaft and pin, (pos.8)	9612595301	9612596101	9612595401		9612133102
	1	Shaft and pin (pos.8) and retaining (pos.9) ...				9612133002	
	1	Shaft (for inducer) incl. pin (pos.8)				8010019230	8010019231
8	1	Connex pin	9611990622	9611990622	9611990622	9611990622	9611990622
9	1	Retaining ring				9611992307	
16	1	Adaptor	9612595501	9612595501	9612595601	9612342801	9612342901
17	4	Screw for adaptor	9611994411	9611994411	9611994411	9611994411	9611994412
19	4	Washer for adaptor	9611994416	9611994416	9611994416	9611994416	9611994417
22	1	Safety guard set	9614077414	9614077414	9614077416	9614077413	9614077405
	1	Safety guard upper			9614090903	9614091301	9614076805
	1	Safety guard lower			9614091003	9614091401	9614076905
	1	Safety guard left	9615271001	9615271001	9615271201	9615270601	9615270701
	1	Safety guard right	9615271011	9615271011	9615241211	9615270611	9615270711
	1	Top plate	9615272201	9615272201	9615272401	9615271801	9615271901
23	1	Screw for safety guard	9611993239	9611993239	9611993239	9611993239	9611993239
70	1	Leg bracket	481654	481656	481661	481656	481661

Pos	Qty	Denomination	LKH-10/60	LKH-10/60	LKH-10/60	LKH-10/60	LKH-70/90
			7.5-10 Hp	15-20 Hp	25-30 Hp	40-60 Hp	7.5-10 Hp
5a	1	Compression ring, with thread	9612133606	9612133603	9612133603	9612133604	9612133606
5b	1	Compression ring, without thread	9612133706	9612133703	9612133703	9612133704	9612133706
6	6	Screw	9611993197	9611993198	9611993198	9611993198	9611993197
6a	6	Washer	9611993199	9611993199	9611993199	9611993199	9611993199
7	1	Shaft and pin, (pos.8)	9612133202	9612133302	9612133302	9612133402	9613859401
	1	Shaft (for inducer) incl. pin, (pos.8)	8010019232	8010019233	8010019233	9612133405	
8	1	Connex pin	9611990622	9611990622	9611990622	9611990622	9611990622
9	1	Retaining ring					9611993812
16	1	Adaptor	9612343001	9612343101	9612343102	9612342602	9612500803
17	4	Screw for adaptor	9611994413	9611994414	9611994414	9611994415	9611994413
19	4	Washer for adaptor	9611994417	9611994417	9611994417	9611994418	9611994417
22	1	Safety guard set	9614077412	9614077409	9614077409	9614077409	9614077417
	1	Safety guard upper	9614076806	9614076807	9614076807	9614076807	9614077006
	1	Safety guard lower	9614076906	9614076907	9614076907	9614076907	9614077106
	1	Safety guard left	9615270801	9615270901	9615270901	9615270901	
	1	Safety guard right	9615270811	9615270911	9615270911	9615270911	
	1	Top plate	9615272001	9615272101	9615272101	9615272101	
23	1	Screw for safety guard	9611993239	9611993239	9611993239	9611993239	9611993239
70	1	Leg bracket	481663	481665	481669	9634056195	481663

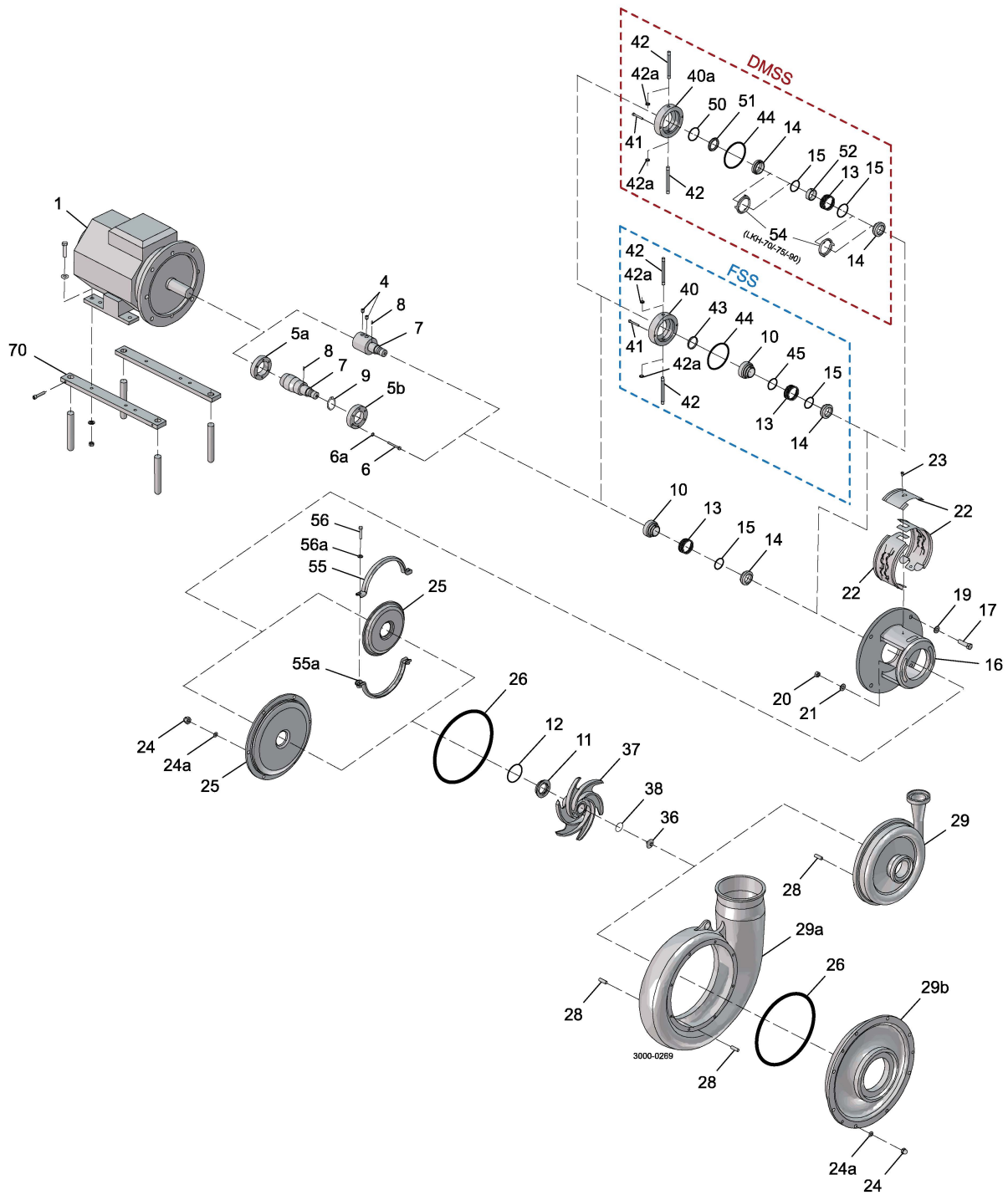
Pos	Qty	Denomination	LKH-70/90	LKH-70/90	LKH-70/90	LKH-70/90	LKH-70/90
			15-20Hp	25-30Hp	40-50Hp	60-75Hp	100Hp
5a	1	Compression ring, with thread	9612133603	9612133603	9612133604	9612133604	9612133607
5b	1	Compression ring, without thread	9612133703	9612133703	9612133704	9612133704	9612133707
6	6	Screw	9611993198	9611993198	9611993198	9611993198	9611993198
6a	6	Washer	9611993199	9611993199	9611993199	9611993199	9611993199
7	1	Shaft and pin, (pos.8)	9612512403	9612512403	9612512503	9612512503	9612554003
16	1	Adaptor	9612512001	9612512002	9612511902	9612511902	9612511902
17	4	Screw for adaptor	9611994414	9611994414	9611994415	9611994415	9611994415
19	4	Washer for adaptor	9611994417	9611994417	9611994418	9611994418	9611994418
22	1	Safety guard set	9614077410	9614077410	9614077410	9614077410	9614077410
	1	Safety guard upper	9614077004	9614077004	9614077004	9614077004	9614077004
	1	Safety guard lower	9614077104	9614077104	9614077104	9614077104	9614077104
23	1	Screw for safety guard	9611993239	9611993239	9611993239	9611993239	9611993239
70	1	Leg bracket	481665	481669	9634056195	9634056196	9634056196



LKH - Motor depended parts

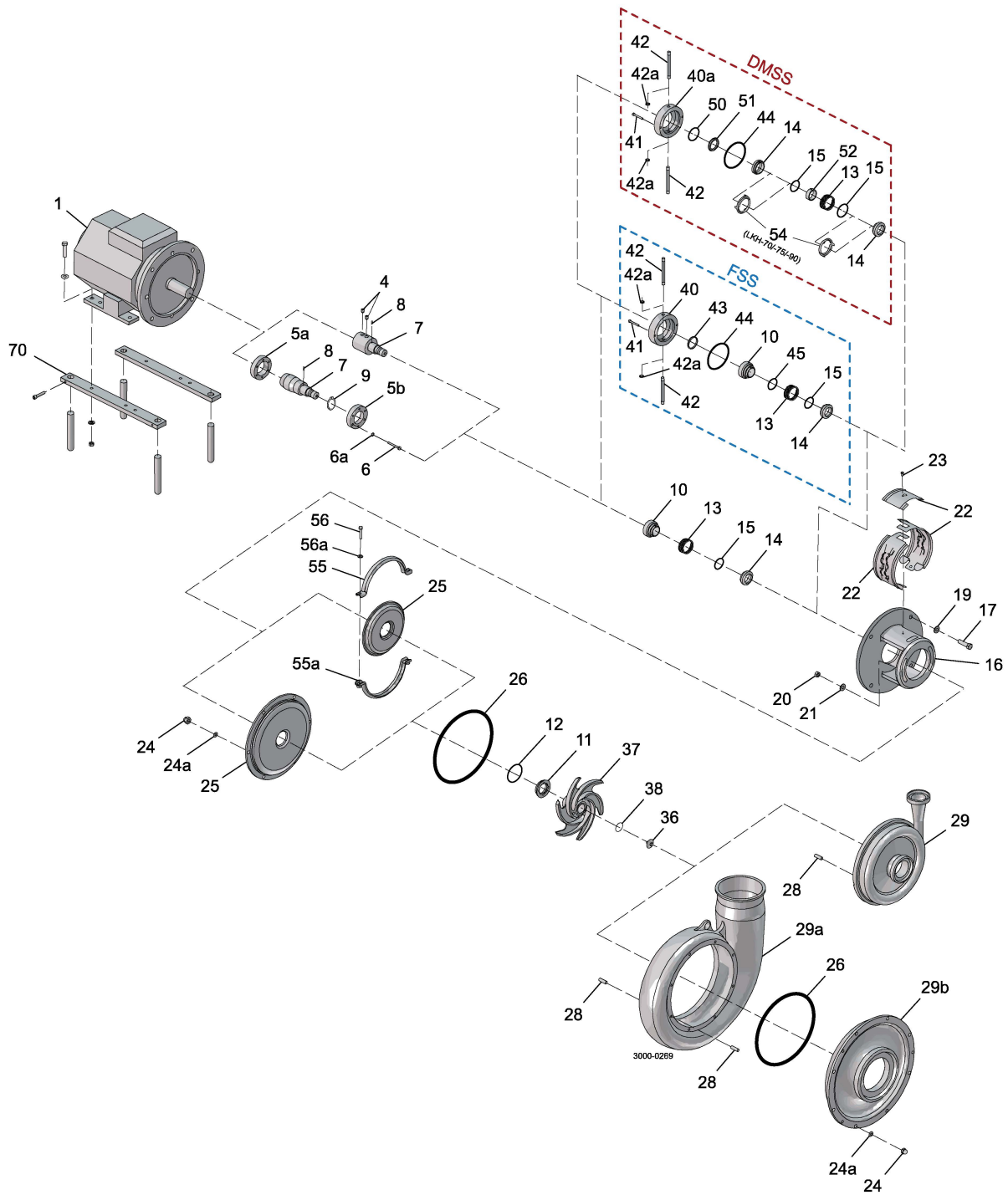
Pos	Qty	Denomination	1Hp	1Hp	1.5Hp	2hp	3Hp
1	1	Motor	56TC	143TC (1800 rpm)	143TC	145TC	182TC
Pos	Qty	Denomination	5Hp	7.5Hp	10Hp	15Hp	20Hp
1	1	Motor	184TC	213TC	215TC	254TC	256TC
Pos	Qty	Denomination	25Hp	30Hp	40Hp	50Hp	60Hp
1	1	Motor	284TSC	286TSC	324TSC	326TSC	364TSC
Pos	Qty	Denomination	70Hp	100Hp			
1	1	Motor	365TSC	405TSC			

3/60/208/230-460-standard



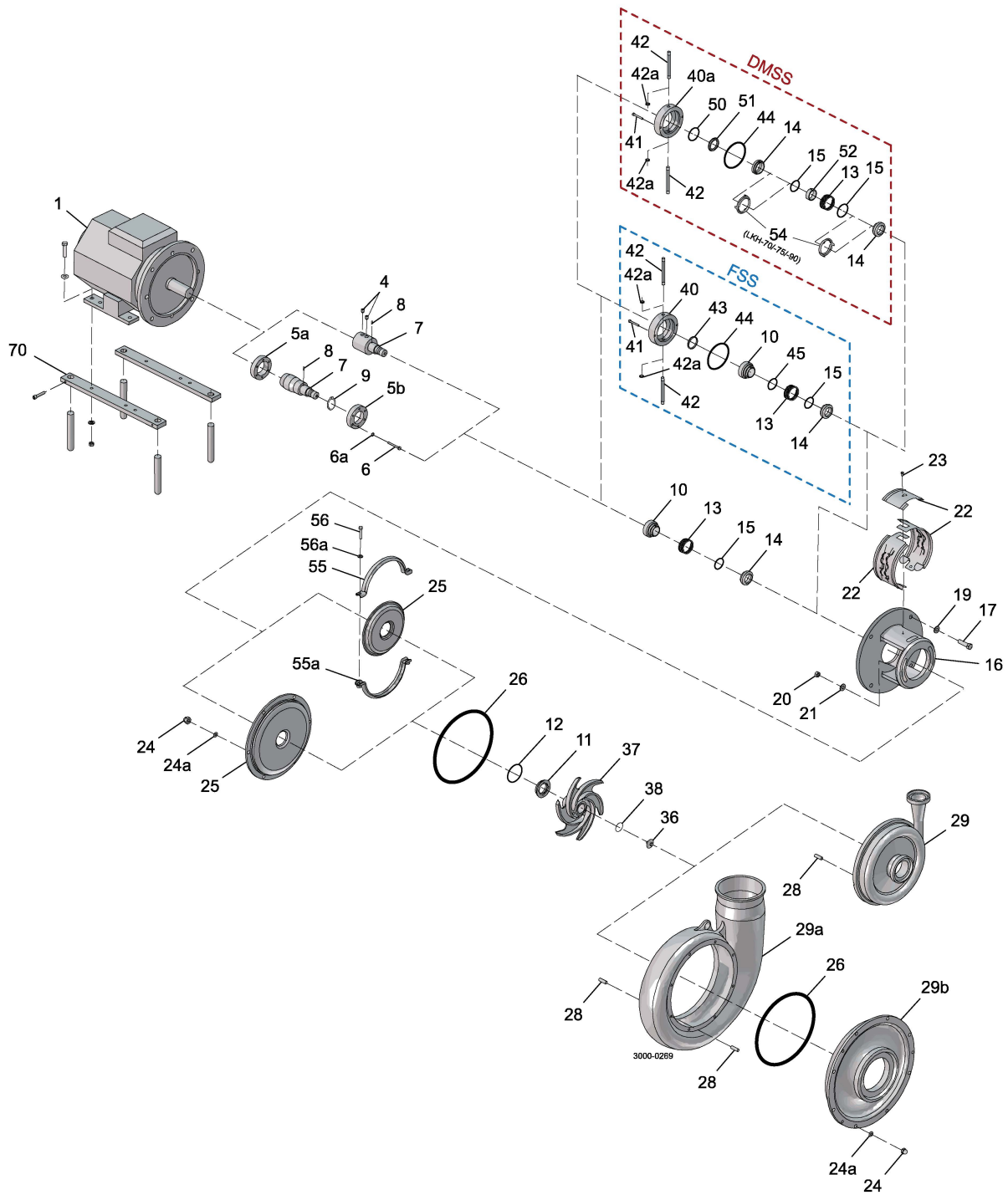
LKH – Shaft seal and service kits

Pos	Qty	Denomination	LKH- 5	LKH- 10/15/20	LKH- 25/35/40/ 45/50/60	LKH- 70/75/90	LKH- 85
Accessories							
	1	Tool complete	9612903601	9612903601	9612903601	9612903701	9612903701
Parts for Flushed Shaft Seal							
40	1	Seal housing (period 12.2014-)	9612133903	9612133903	9612133903	9612514403	9612514403
	1	Seal housing (period -12.2014)	9612133901	9612133901	9612133901	9612514401	9612514401
41	2	Screw for seal housing	9611990203	9611990203	9611990203	9611993232	9611993232
42	2	Tube (period 12.2014-)	9612358916	9612358916	9612358918	9612358917	
	2	Tube (period -12.2014)	9612358902	9612358902	9612358908	9612358904	
42a	2	Fitting					9611995691
Parts for Double Mechanical Shaft Seal							
40a	1	Seal housing (period 12.2014-)	9612133904	9612133904	9612133904	9612591402	9612591402
	1	Seal housing (period -12.2014)	9612133902	9612133902	9612133902	9612591401	9612591401
41	2	Screw for seal housing	9611990203	9611990203	9611990203	9611993766	9611993766
42	2	Tube (period 04.2014-)	9612358916	9612358916	9612358918	9612358917	
	2	Tube (period -04.2014)	9612358902	9612358902	9612358908	9612358904	
42a	2	Fitting					9611995691
10	1	Drive ring, Single shaft seal steel	9614206001	9614206001	9614206001	9612514901	9612514901
	1	Drive ring, Flushed shaft seal	9612139701	9612139701	9612139701	9612514901	9612514901



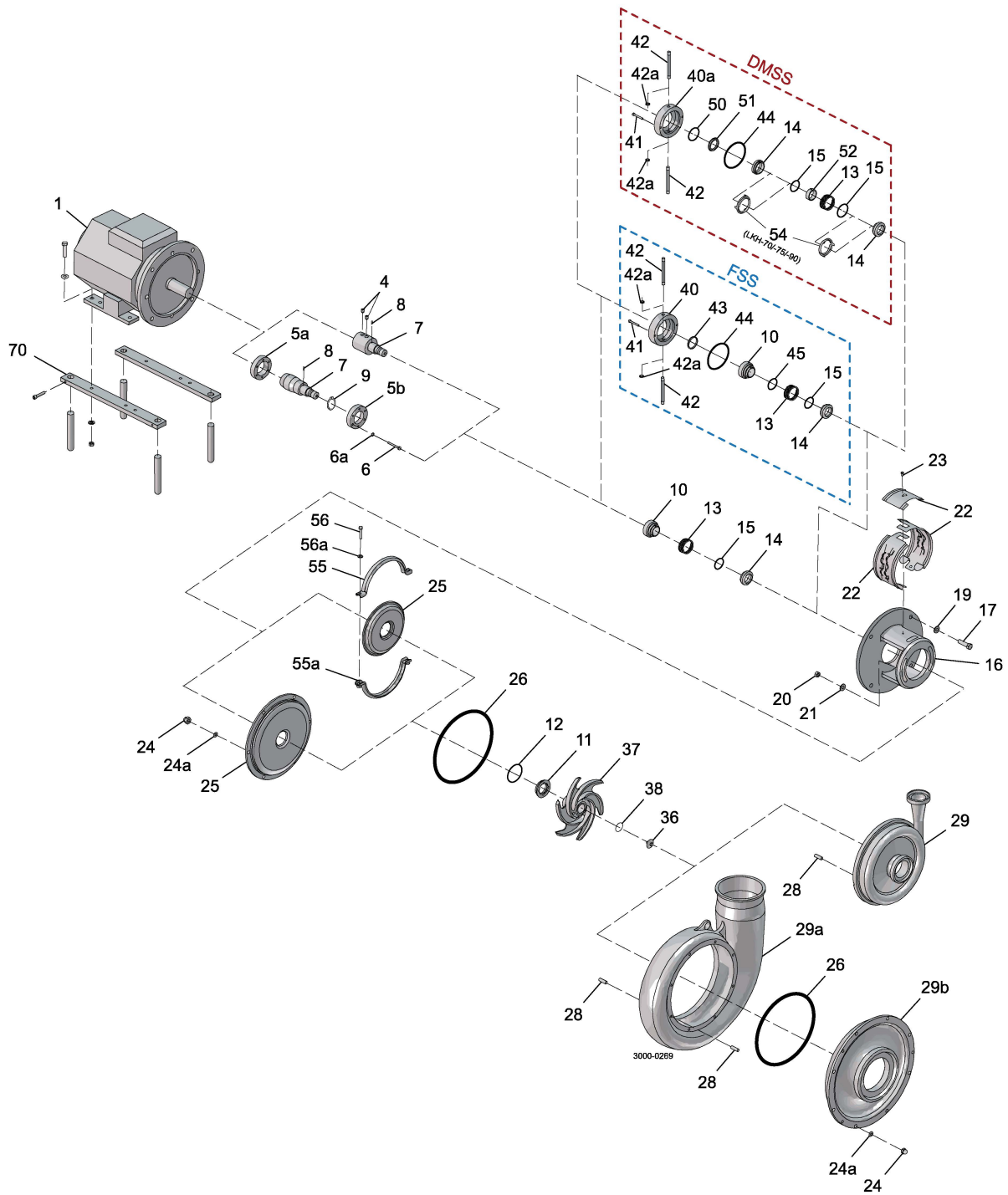
LKH 10-60

Pos	Qty	Denomination	EPDM	NBR	FPM	FEP
Single shaft seal (standard)						
	♦	Complete shaft seal, C/SiC	9612129609	9612129610	9612129611	9612129612
11	1	Stationary seal ring, SiC				
12	1	O-ring				
13	1	Spring				
14	1	Rotating seal ring, carbon				
15	1	O-ring				
Alternatives for single shaft seal						
	✦	Complete shaft seal, SiC/SiC	9612129605	9612129606	9612129607	9612129608
11	1	Stationary seal ring, SiC				
12	1	O-ring				
13	1	Spring				
14	1	Rotating seal ring, SiC				
15	1	O-ring				
Flushed shaft seal (standard)						
	★	Complete shaft seal, C/SiC	9612129625	9612129626	9612129627	9612129628
11	1	Stationary seal ring, SiC				
12	1	O-ring				
13	1	Spring				
14	1	Rotating seal ring, carbon				
15	1	O-ring				
43	1	Lip seal				
44	1	O-ring for seal housing EPDM				
45	1	O-ring for drive ring				
Alternatives for flushed shaft seal						
	⊙	Complete shaft seal, SiC/SiC	9612129629	9612129630	9612129631	9612129632
11	1	Stationary seal ring, SiC				
12	1	O-ring				
13	1	Spring				
14	1	Rotating seal ring, SiC				
15	1	O-ring				
43	1	Lip seal				
44	1	O-ring for seal housing EPDM				
45	1	O-ring for drive ring				
Double mechanical shaft seal (standard)						
	Δ	Complete shaft seal, C/SiC	9612129613	9612129614	9612129615	9612129616
11	1	Stationary seal ring, SiC				
12	1	O-ring				
13	1	Spring				
14	2	Rotating seal ring, carbon				
15	2	O-ring				
44	1	O-ring for seal housing EPDM				
50	1	O-ring, EPDM				
51	1	Sec. stationary seal ring				
52	1	Drive ring				
Alternatives for Double Mechanical shaft seal						
	●	Complete shaft seal, SiC/SiC	9612129617	9612129618	9612129619	9612129620
11	1	Stationary seal ring, SiC				
12	1	O-ring				
13	1	Spring				
14	2	Rotating seal ring, SiC				
15	2	O-ring				
44	1	O-ring for seal housing EPDM				
50	1	O-ring, EPDM				
51	1	Sec. stationary seal ring				
52	1	Drive ring				

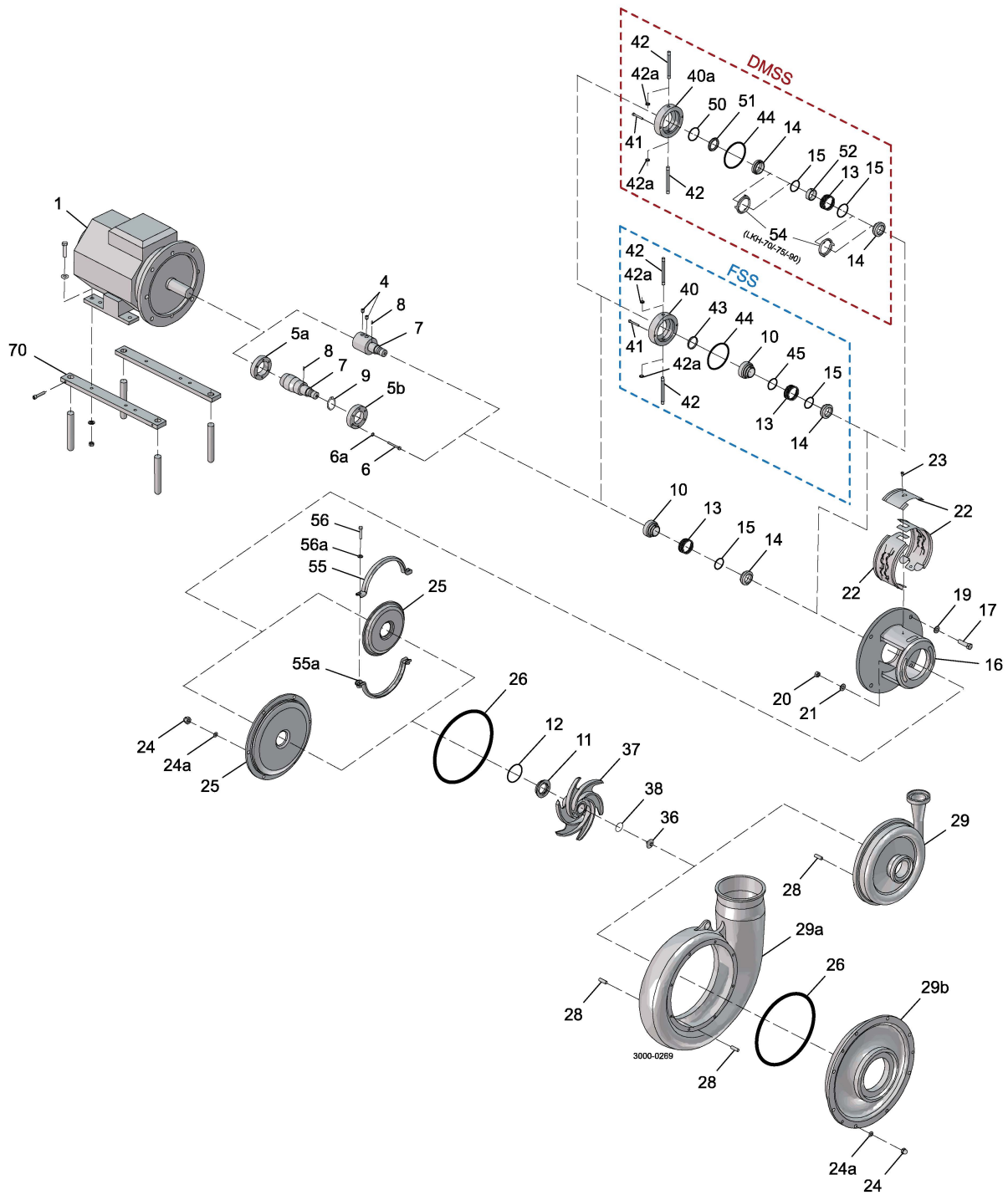


LKH 70-90

Pos	Qty	Denomination	EPDM	NBR	FPM	FEP
Single shaft seal (standard)						
	♦	Complete shaft seal, C/SiC	9612515101	9612515102	9612515103	9612515104
11	1	Stationary seal ring, SiC				
12	1	O-ring				
13	1	Spring				
14	1	Rotating seal ring, carbon				
15	1	O-ring				
Alternatives for single shaft seal						
	✦	Complete shaft seal, SiC/SiC	9612515105	9612515106	9612515107	9612515108
11	1	Stationary seal ring, SiC				
12	1	O-ring				
13	1	Spring				
14	1	Rotating seal ring, SiC				
15	1	O-ring				
Flushed shaft seal (standard)						
	★	Complete shaft seal, C/SiC	9612515109	9612515110	9612515111	9612515112
11	1	Stationary seal ring, SiC				
12	1	O-ring				
13	1	Spring				
14	1	Rotating seal ring, carbon				
15	1	O-ring				
43	1	Lip seal				
44	1	O-ring for seal housing EPDM				
45	1	O-ring for drive ring				
Alternatives for flushed shaft seal						
	⊙	Complete shaft seal, SiC/SiC	9612515113	9612515114	9612515115	9612515116
11	1	Stationary seal ring, SiC				
12	1	O-ring				
13	1	Spring				
14	1	Rotating seal ring, SiC				
15	1	O-ring				
43	1	Lip seal				
44	1	O-ring for seal housing EPDM				
45	1	O-ring for drive ring				
Double mechanical shaft seal (standard)						
	△	Complete shaft seal, C/SiC	9612515117	9612515118	9612515119	9612515120
11	1	Stationary seal ring, SiC				
12	1	O-ring				
13	1	Spring				
14	2	Rotating seal ring, carbon				
15	2	O-ring				
44	1	O-ring for seal housing EPDM				
50	1	O-ring, EPDM				
51	1	Sec. stationary seal ring				
52	1	Drive ring				
54	2	Cup				
Alternatives for Double Mechanical shaft seal						
	●	Complete shaft seal, SiC/SiC	9612515121	9612515122	9612515123	9612515124
11	1	Stationary seal ring, SiC				
12	1	O-ring				
13	1	Spring				
14	2	Rotating seal ring, SiC				
15	2	O-ring				
44	1	O-ring for seal housing EPDM				
50	1	O-ring, EPDM				
51	1	Sec. stationary seal ring				
52	1	Drive ring				
54	2	Cup				



		EPDM	NBR	FPM	FEP
Service kit for single shaft seal					
C/SiC					
◆	Service kit, C/SiC (LKH-5)	9611922306	9611922307	9611922308	9611922309
◆	Service kit, C/SiC (LKH-10/15)	9611922114	9611922115	9611922116	9611922117
◆	Service kit, C/SiC (LKH-20)	9611922122	9611922123	9611922124	9611922125
◆	Service kit, C/SiC (LKH-25/35/45)	9611922182	9611922183	9611922184	9611922185
◆	Service kit, C/SiC (LKH-40/50/60)	9611922130	9611922131	9611922132	9611922133
◆	Service kit, C/SiC (LKH-70)	9611922238	9611922239	9611922240	9611922241
◆	Service kit, C/SiC (LKH-75)	9611922976	9611922977	9611922978	
◆	Service kit, C/SiC (LKH-85)	9611922952	9611922953	9611922954	9611922955
◆	Service kit, C/SiC (LKH-90)	9611922867	9611922868	9611922869	9611922870
SiC/SiC					
◇	Service kit, SiC/SiC (LKH-5)	9611922526	9611922527	9611922528	9611922529
◇	Service kit, SiC/SiC (LKH-10/15)	9611922550	9611922551	9611922552	9611922553
◇	Service kit, SiC/SiC (LKH-20)	9611922574	9611922575	9611922576	9611922577
◇	Service kit, SiC/SiC (LKH-25/35/45)	9611922598	9611922599	9611922600	9611922601
◇	Service kit, SiC/SiC (LKH-40/50/60)	9611922623	9611922624	9611922625	9611922626
◇	Service kit, SiC/SiC (LKH-70)	9611922643	9611922644	9611922645	9611922646
◇	Service kit, SiC/SiC (LKH-75)	9611922985	9611922986	9611922987	
◇	Service kit, SiC/SiC (LKH-85)	9611922964	9611922965	9611922966	9611922967
◇	Service kit, SiC/SiC (LKH-90)	9611922879	9611922880	9611922881	9611922882
Service kit for flushed shaft seal					
C/SiC					
*	Service kit, C/SiC (LKH-5)	9611922314	9611922315	9611922316	9611922317
*	Service kit, C/SiC (LKH-10/15)	9611922118	9611922119	9611922120	9611922121
*	Service kit, C/SiC (LKH-20)	9611922126	9611922127	9611922128	9611922129
*	Service kit, C/SiC (LKH-25/35/45)	9611922190	9611922191	9611922192	9611922193
*	Service kit, C/SiC (LKH-40/50/60)	9611922134	9611922135	9611922136	9611922137
*	Service kit, C/SiC (LKH-70)	9611922242	9611922243	9611922244	9611922245
*	Service kit, C/SiC (LKH-75)	9611922979	9611922980	9611922981	
*	Service kit, C/SiC (LKH-85)	9611922956	9611922957	9611922958	9611922959
*	Service kit, C/SiC (LKH-90)	9611922871	9611922872	9611922873	9611922874
SiC/SiC					
⊙	Service kit, SiC/SiC (LKH-5)	9611922534	9611922535	9611922536	9611922537
⊙	Service kit, SiC/SiC (LKH-10/15)	9611922558	9611922559	9611922560	9611922561
⊙	Service kit, SiC/SiC (LKH-20)	9611922582	9611922583	9611922584	9611922585
⊙	Service kit, SiC/SiC (LKH-25/35/45)	9611922606	9611922607	9611922608	9611922609
⊙	Service kit, SiC/SiC (LKH-40/50/60)	9611922631	9611922632	9611922633	9611922634
⊙	Service kit, SiC/SiC (LKH-70)	9611922647	9611922648	9611922649	9611922650
⊙	Service kit, SiC/SiC (LKH-75)	9611922988	9611922989	9611922990	
⊙	Service kit, SiC/SiC (LKH-85)	9611922968	9611922969	9611922970	9611922971
⊙	Service kit, SiC/SiC (LKH-90)	9611922883	9611922884	9611922885	9611922886



		EPDM	NBR	FPM	FEP
Service kit for double mechanical shaft seal					
C/SiC					
Δ	Service kit, C/SiC (LKH-5)	9611922322	9611922323	9611922324	9611922325
Δ	Service kit, C/SiC (LKH-10/15)	9611922210	9611922211	9611922212	9611922213
Δ	Service kit, C/SiC (LKH-20)	9611922218	9611922219	9611922220	9611922221
Δ	Service kit, C/SiC (LKH-25/35/45)	9611922226	9611922227	9611922228	9611922229
Δ	Service kit, C/SiC (LKH-40/50/60)	9611922234	9611922235	9611922236	9611922237
Δ	Service kit, C/SiC (LKH-70)	9611922416	9611922417	9611922418	9611922419
Δ	Service kit, C/SiC (LKH-75)	9611922982	9611922983	9611922984	
Δ	Service kit, C/SiC (LKH-85)	9611922960	9611922961	9611922962	9611922963
Δ	Service kit, C/SiC (LKH-90)	9611922875	9611922876	9611922877	9611922878
SiC/SiC					
	Service kit, SiC/SiC (LKH-5)	9611922542	9611922543	9611922544	9611922545
•	Service kit, SiC/SiC (LKH-10/15)	9611922566	9611922567	9611922568	9611922569
•	Service kit, SiC/SiC (LKH-20)	9611922590	9611922591	9611922592	9611922593
•	Service kit, SiC/SiC (LKH-25/35/45)	9611922614	9611922615	9611922616	9611922617
•	Service kit, SiC/SiC (LKH-40/50/60)	9611922639	9611922640	9611922641	9611922642
•	Service kit, SiC/SiC (LKH-70)	9611922651	9611922652	9611922653	9611922654
•	Service kit, SiC/SiC (LKH-75)	9611922991	9611922992	9611922993	
•	Service kit, SiC/SiC (LKH-85)	9611922972	9611922973	9611922974	9611922975
•	Service kit, SiC/SiC (LKH-90)	9611922887	9611922888	9611922889	9611922890

Parts marked with ♦•Δ↔• are included in the service kits.

Recommended Spare Parts: Service kits.

Shaft seal: See end of spare part

Conversion kit single to flushed shaft seal : Please order Flushed service kit + pos. 10+40+41+42 (for LKH-85 pos. 10+40+41+42a)

Conversion kit single to double mechanical shaft seal : Please order Double mechanical service kit + pos. 40a+41+42 (for LKH-85 pos.

40a+41+42a)

(900602/16)

How to contact Alfa Laval

Contact details for all countries are continually updated on our website.

Please visit www.alfalaval.com to access the information directly.

© Alfa Laval Corporate AB

This document and its contents is owned by Alfa Laval Corporate AB and protected by laws governing intellectual property and thereto related rights. It is the responsibility of the user of this document to comply with all applicable intellectual property laws. Without limiting any rights related to this document, no part of this document may be copied, reproduced or transmitted in any form or by any means (electronic, mechanical, photocopying, recording, or otherwise), or for any purpose, without the expressed permission of Alfa Laval Corporate AB. Alfa Laval Corporate AB will enforce its rights related to this document to the fullest extent of the law, including the seeking of criminal prosecution.