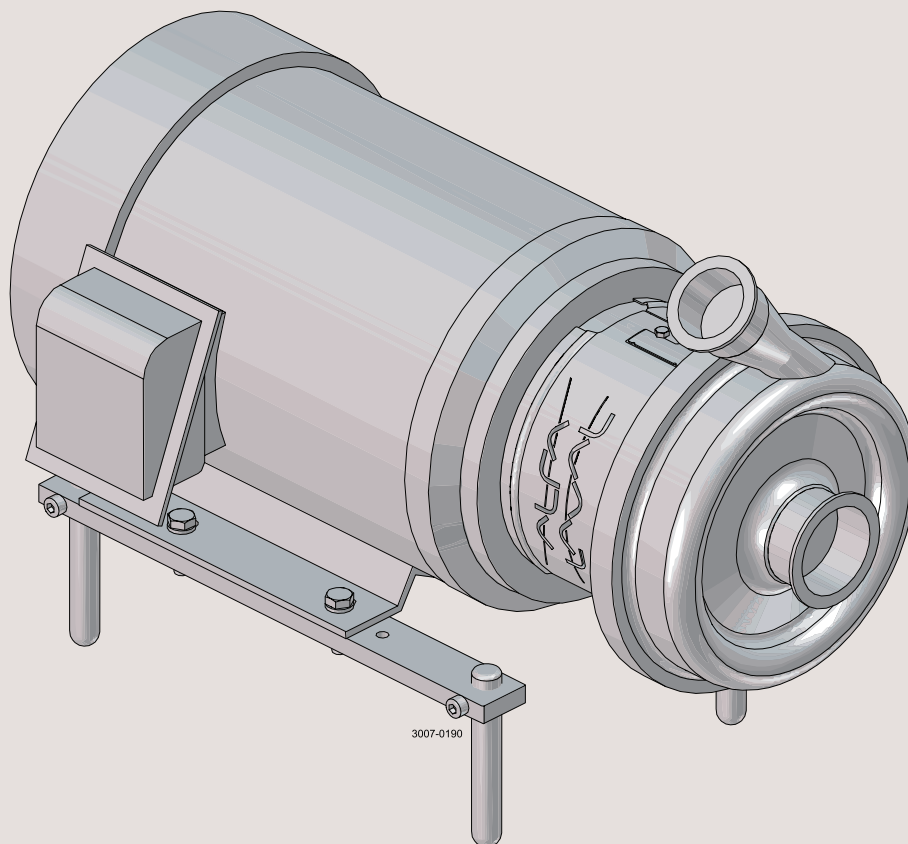




## Spare Parts

LKH UltraPure Centrifugal Pump



ESE02023-ENUS11 2020-09

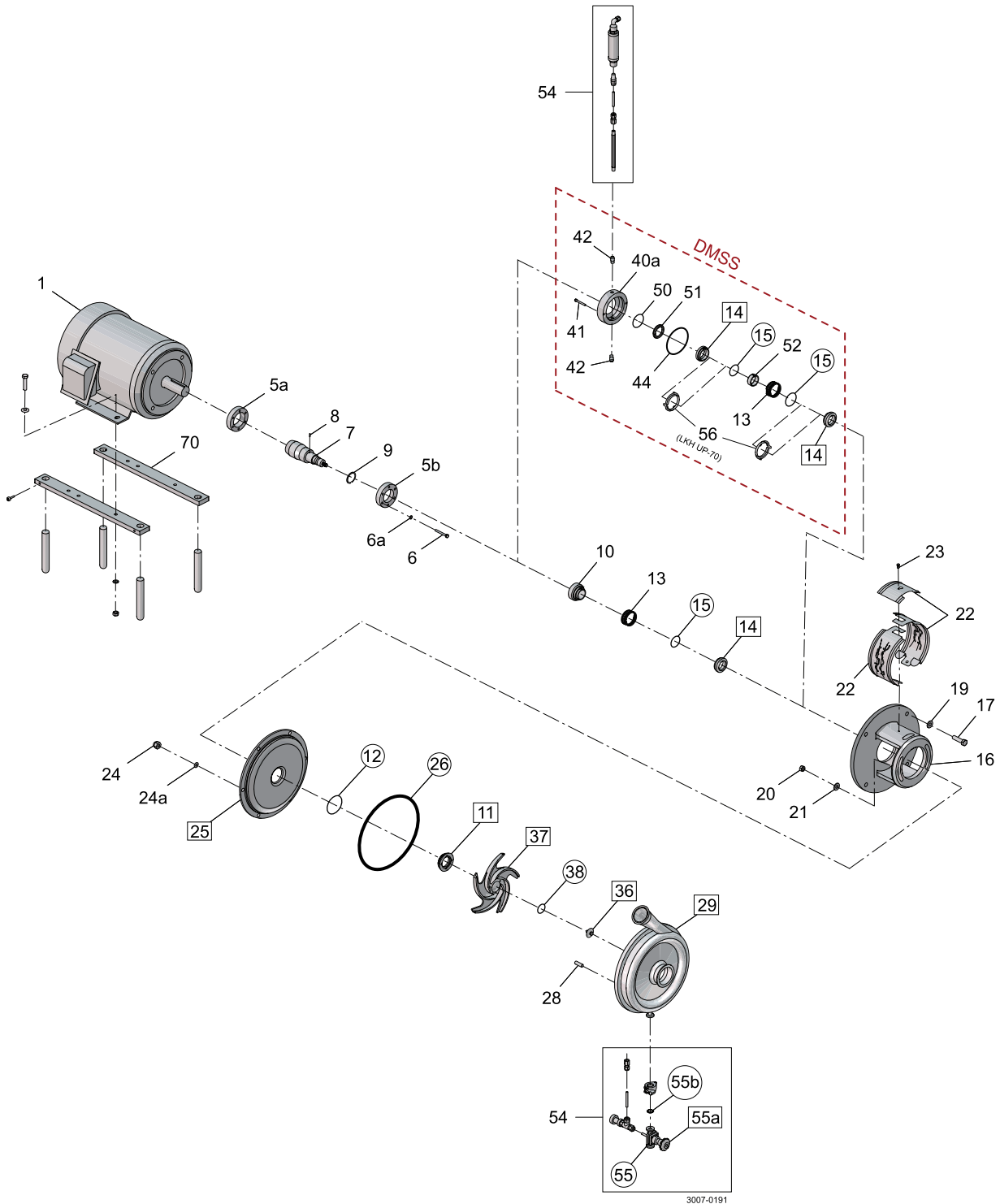
Original manual



---

*The information herein is correct at the time of issue but may be subject to change without prior notice*

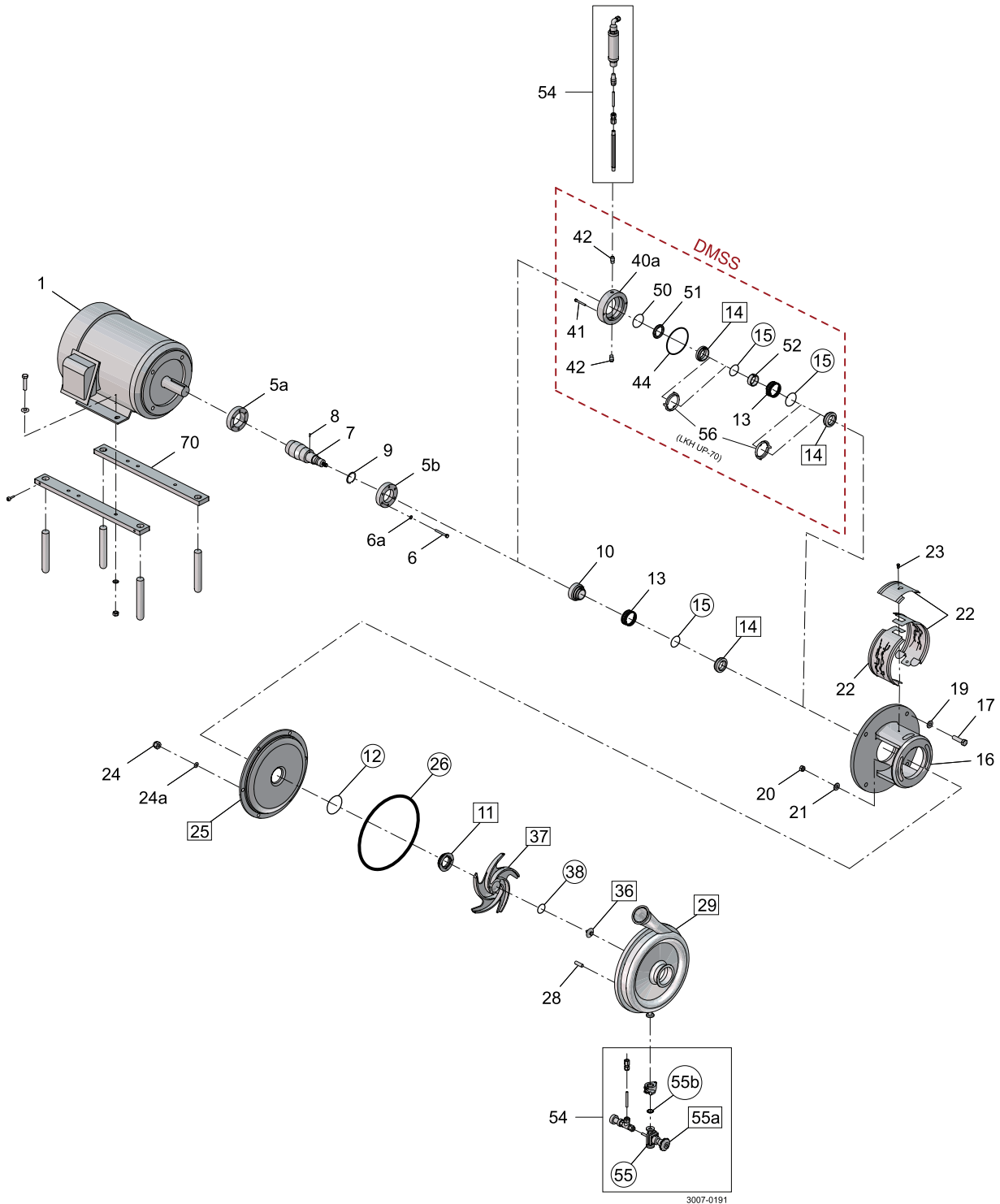
1. LKH UltraPure - Product wetted parts .....	4
2. LKH UltraPure - Motor dependent parts .....	8
3. LKH UltraPure - Shaft seals and service kits .....	10



Pos	Qty	Denomination	LKHUP-10 1-20HP	LKHUP-20 1-20HP	LKHUP-25 1-60HP	LKHUP-35 1-60HP
<b>Casing Mech Ra ≤ 20, 45deg, 1/2" TriClamp drain</b>						
29	1	Connections and drain, ferrule Tri-clamp for ASME BPE .....	9612630501	9612630504	9612630507	9612630510
<b>Casing EP Ra ≤ 15, 45deg, 1/2" TriClamp drain</b>						
	1	Connections and drain, ferrule Tri-clamp for ASME BPE .....	9612630516	9612630519	9612630522	9612630525
Pos	Qty	Denomination	LKHUP-40 1-60HP	LKHUP-45 1-60HP	LKHUP-60 1-60HP	LKHUP-70 10-100HP
<b>Casing Mech Ra ≤ 20, 45deg, 1/2" TriClamp drain</b>						
29	1	Connections and drain, ferrule Tri-clamp for ASME BPE .....	9612630513	9615375304	9615375305	9615375306
<b>Casing EP Ra ≤ 15, 45deg, 1/2" TriClamp drain</b>						
	1	Connections and drain, ferrule Tri-clamp for ASME BPE .....	9612630528	9615375307	9615375308	9615375309

**Note:** For article numbers on casing specifications not listed above. Please contact your local Alfa Laval partner.

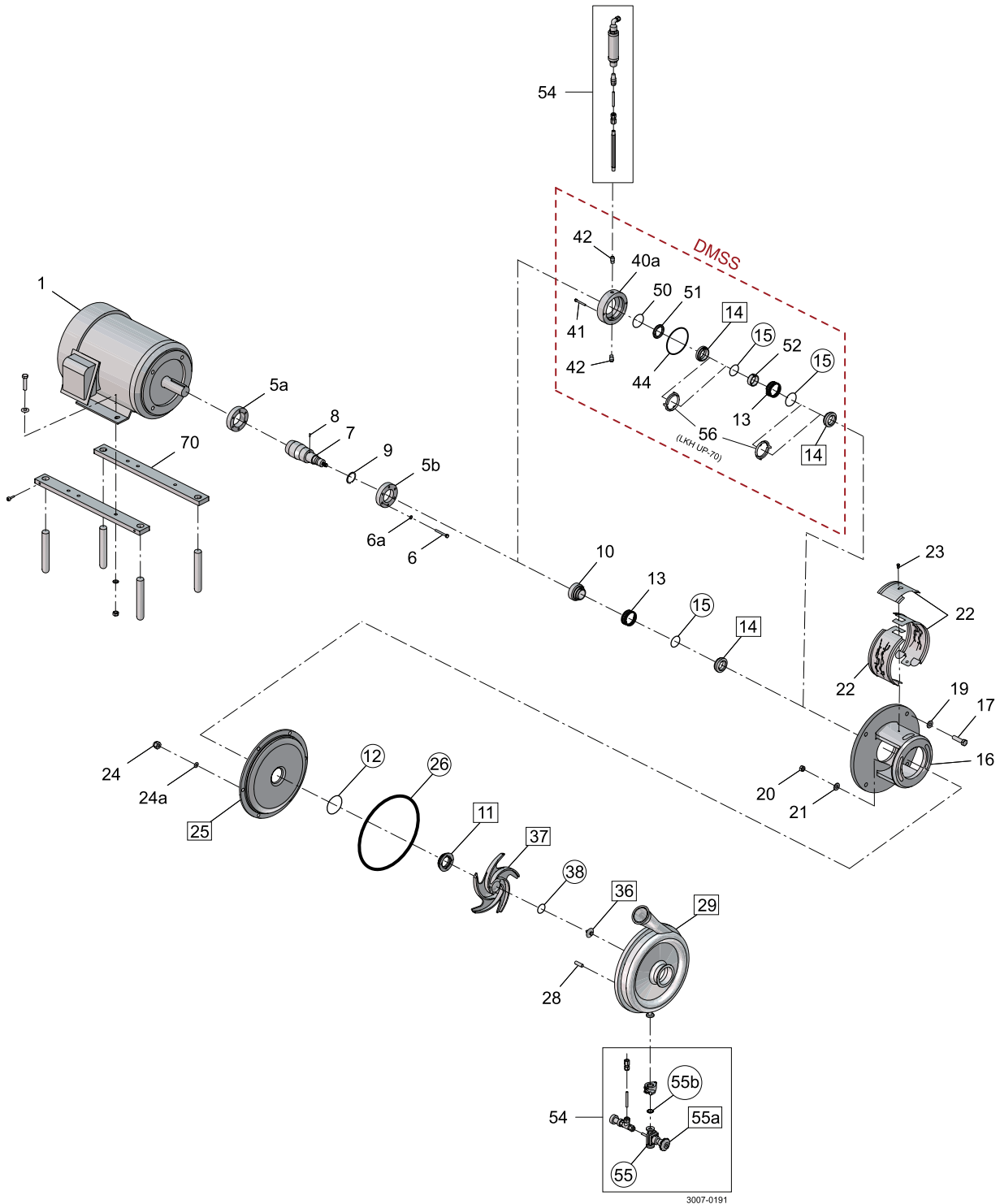
**Note:** Heat certificates can be downloaded from [www.alfalaval.com/certificates](http://www.alfalaval.com/certificates)



- Product wetted part
- Product wetted steel part

Pos	Qty	Denomination	LKHUP-10	LKHUP-20	LKHUP-25	LKHUP-35
			1-20HP	1-20HP	1-60HP	1-60HP
24	6	Cap nut .....	9611992592	9611992592	9611992593	9611992593
24a	6	Spring washer .....	9611991888	9611991888	9611991887	9611991887
28	6	Bolt .....	9611992168	9611992168	9611992169	9611992169
37	1	Impeller, Mech Ra ≤ 20 .....	9612131206	9612131406	9612425206	9612434106
	1	Impeller, EP Ra ≤ 15 .....	9612131425	9612131415	9612425213	9612434113
36	1	Impeller screw, Mech Ra ≤ 20 .....	9612139609	9612139609	9612139609	9612139609
	1	Impeller screw, EP Ra ≤ 15 .....	9612139610	9612139610	9612139610	9612139610
37	1	Impeller, Mech Ra ≤ 20 Delta Ferrite<1% .....	9612131226	9612131416	9612425214	9612434114
	1	Impeller, EP Ra ≤ 15 Delta Ferrite<1% .....	9612131227	9612131417	9612425215	9612434115
25	1	Backplate compl, Mech Ra ≤ 20 .....	9612633201	9612633202	9612633204	9612633204
	1	Backplate compl, EP Ra ≤ 15 .....	9612633206	9612633207	9612633208	9612633208
20	2	Nut .....	9611990353	9611990353	9611990353	9611990353
21	2	Washer .....	9611992559	9611992559	9611992559	9611992559

Pos	Qty	Denomination	LKHUP-40	LKHUP-45	LKHUP-60	LKHUP-70
			1-60HP	1-60HP	1-60HP	10-100HP
24	6	Cap nut .....	9611992593	9611992593	9611992593	
24a	6	Spring washer .....	9611991887	9611991887	9611991887	
28	6	Bolt .....	9611992169	9611992169	9611992169	
24	8	Cap nut .....				9611992593
24a	8	Washer .....				9611991887
28	8	Bolt .....				9611992169
37	1	Impeller, Mech Ra ≤ 20 .....	9612131806	9612363006	9612128306	9612499403
	1	Impeller, EP Ra ≤ 15 .....	9612131813	9612363014	9612128314	9612499414
36	1	Impeller screw, Mech Ra ≤ 20 .....	9612139609	9612139609	9612139609	9612927111
	1	Impeller screw, EP Ra ≤ 15 .....	9612139610	9612139610	9612139610	9612927112
37	1	Impeller, Mech Ra ≤ 20 Delta Ferrite<1% .....	9612131814	9612363017	9612128318	9612499416
	1	Impeller, EP Ra ≤ 15 Delta Ferrite<1% .....	9612131815	9612363019	9612128320	9612499418
25	1	Backplate compl, Mech Ra ≤ 20 .....	9612633205	9612633204	9612633205	9615284403
	1	Backplate compl, EP Ra ≤ 15 .....	9612633210	9612633208	9612633210	9615284404
20	2	Nut .....	9611990353	9611990353	9611990353	
21	2	Washer .....		9611992559	9611992559	
20	4	Nut .....				9611990353
21	4	Washer .....	9611992559			9611992559
26	□♦	1 Pump casing O-ring, EPDM .....				
	□♦	1 Pump casing O-ring, FPM .....				
	□♦	1 Pump casing O-ring, FEP .....				
38	□♦	1 O-ring impeller screw, EPDM .....				
	□♦	1 O-ring impeller screw, FPM .....				
	□♦	1 O-ring impeller screw, FEP .....				



3007-0191



LKH UltraPure - Motor dependent parts

Pos	Qty	Denomination	1-2HP 143-145TC	3-5HP 182-184TC	7.5-10HP 213-215TC	15-20HP 254-256TC	25-30HP 284-286TSC	40-60Hp 324-364TC
<b>LKHUP-10/20/25/35/40/45/60</b>								
7	1	Shaft .....	9612133002	9612133102	9612133202	9612133302	9612133302	9612133402
9	1	Retaining ring .....	9611992307					
8	1	Connex pin .....	9611990622	9611990622	9611990622	9611990622	9611990622	9611990622
5a	1	Compression ring with thread .....	9612133601	9612133602	9612133606	9612133603	9612133603	9612133604
5b	1	Compression ring without thread .....	9612133701	9612133702	9612133706	9612133703	9612133703	9612133704
6	6	Screw .....	9611993196	9611993196	9611993197	9611993198	9611993198	9611993198
6a	6	Washer .....	9611993199	9611993199	9611993199	9611993199	9611993199	9611993199
16	1	Adaptor .....	9612342801	9612342901	9612343001	9612343101	9612343102	9612342602
17	4	Screw for adaptor .....	9611994411	9611994412	9611994413	9611994414	9611994414	9611994415
19	4	Washer for adaptor .....	9611994416	9611994417	9611994417	9611994417	9611994417	9611994418
22	1	Safety guard set .....	9614077413	9614077405	9614077412	9614077409	9614077409	9614077409
23	1	Screw for safety guard .....	9611992544	9611992544	9611992544	9611992544	9611992544	9611993239
70	1	Bracket set stainless steel ..	481656	481661	481663	481665	481669	9634056195

**Accessories**

1	Tool complete .....	9612903601	9612903601	9612903601	9612903601	9612903601	9612903601	9612903601
---	---------------------	------------	------------	------------	------------	------------	------------	------------

Pos	Qty	Denomination	15-20Hp 254-256TC	25-30Hp 284-286TSC	40-50Hp 324-326TSC	60-75Hp 364-365TSC	100Hp 405TSC
-----	-----	--------------	----------------------	-----------------------	-----------------------	-----------------------	-----------------

**LKHUP70**

7	1	Shaft .....	9612512403	9612512403	9612512503	9612512503	9612554003
8	1	Connex pin .....	9611990622	9611990622	9611990622	9611990622	9611990622
5a	1	Compression ring with thread .....	9612133603	9612133603	9612133604	9612133604	9612133607
5b	1	Compression ring without thread .....	9612133703	9612133703	9612133704	9612133704	9612133707
6	6	Screw .....	9611993198	9611993198	9611993198	9611993198	9611993198
6a	6	Washer .....	9611993199	9611993199	9611993199	9611993199	9611993199
16	1	Adaptor .....	9612512001	9612512002	9612511902	9612511902	9612511902
17	4	Screw for adaptor .....	9611994414	9611994414	9611994415	9611994415	9611994415
19	4	Washer for adaptor .....	9611994417	9611994417	9611994418	9611994418	9611994418
22	1	Safety guard set .....	9614077410	9614077410	9614077410	9614077410	9614077410
23	1	Screw for safety guard .....	9611993239	9611993239	9611993239	9611993239	9611993239
70	1	Bracket set stainless steel .....	481665	481669	9634056195	9634056196	9634056196

**Accessories**

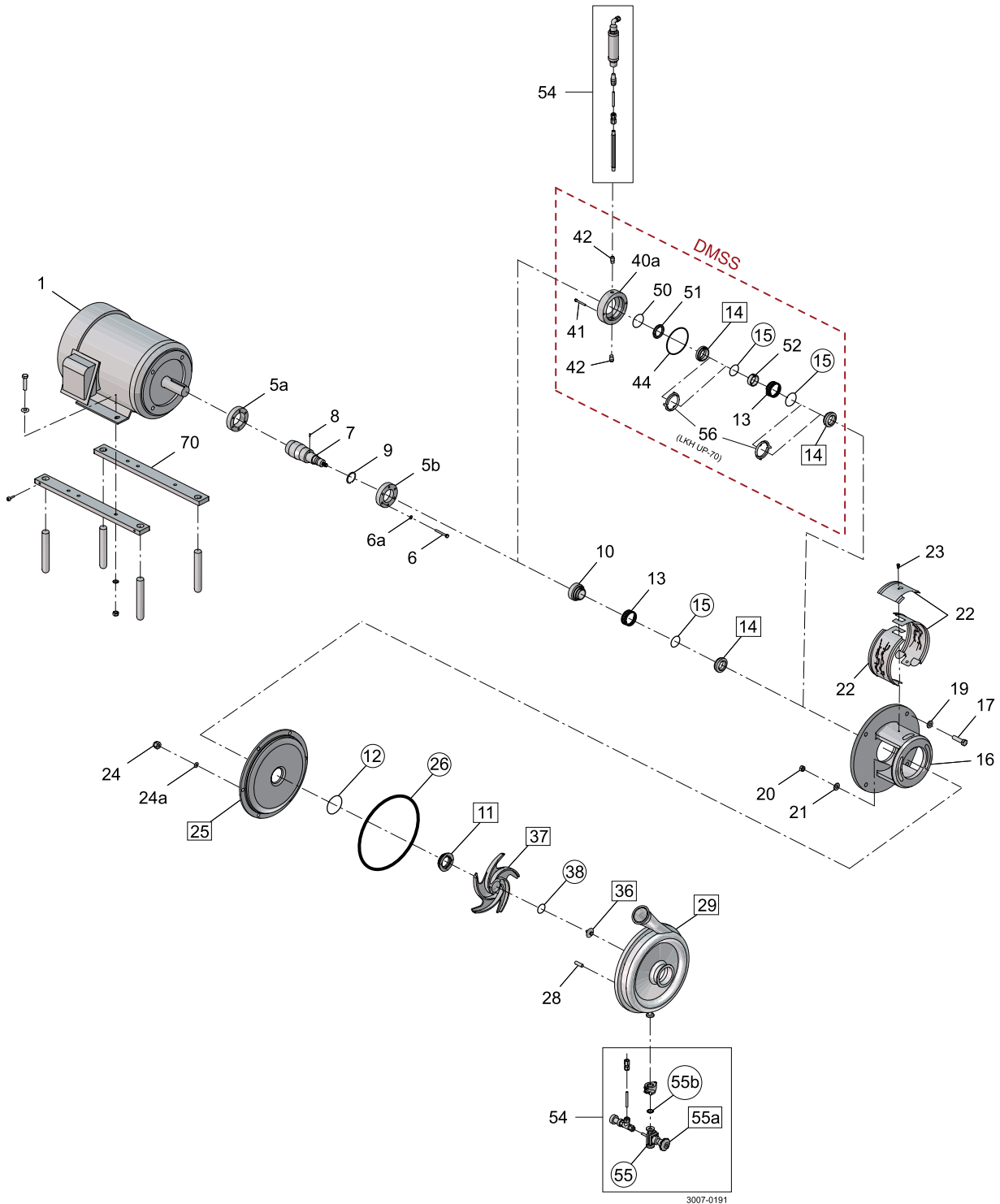
1	Tool complete .....	9612903701
---	---------------------	------------

Pos	Qty	Denomination	1Hp	1.5Hp	2hp	3Hp	5Hp	7.5Hp
1	1	Motor 3600rpm .....	143TC (1800 rpm)	143TC	145TC	182TC	184TC	213TC

Pos	Qty	Denomination	10Hp	15Hp	20Hp	25Hp	30HP	40Hp
1	1	Motor 3600rpm .....	215TC	254TC	256TC	284TSC	286TSC	324TSC

Pos	Qty	Denomination	50Hp	60Hp	75Hp	100Hp
1	1	Motor 3600rpm .....	326TSC	364TSC	365TSC	405TSC

3/60/208/230-460 - standard



Pos	Qty	Denomination	LKHUP10/20/2	
			5	35/40/45/60 LKHUP70
10	1	Drive ring, Single shaft seal steel .....	9614206001	9612514901
<b>Flushing set</b>				
54	1	Complete flushing set, 1/2" .....	9634075242	9634075242
55	1	1/2" Diaphragm PTFE, for Diaphragm valve .....	9614119201	9614119201
	1	Backing for PTFE Diaphragm .....	9614119301	9614119301
55a	1	1/2" Diaphragm valve .....	9634094731	9634094731
55b	1	1/2" clamp gasket, EPDM .....	9615356701	9615356701
54	1	Complete flushing set 3/4" .....	9634075243	9634075243
55	1	3/4" Diaphragm PTFE for Diaphragm valve .....	9614119401	9614119401
	1	Backing for PTFE Diaphragm .....	9614119501	9614119501
55a	1	3/4" Diaphragm valve .....	9634095340	9634095340
55b	1	3/4" Clamp gasket, EPDM .....	9634097001	9634097001
<b>Parts for double mechanical shaft seal</b>				
40a	1	Seal housing .....	9612133902	9612591401
41	2	Screw for seal housing .....	9611990203	9611993766
42	2	Fittings .....	9611992323	9611992323
	□	Single shaft seal, SiC/SiC .....		
11	1	Stationary seal ring, SiC .....		
12	1	O-ring .....		
13	1	Spring .....		
14	1	Rotating seal ring, SiC .....		
15	1	O-ring .....		
	●	Double mechanical shaft seal, SiC/SiC .....		
11	1	Stationary seal ring, SiC .....		
12	1	O-ring .....		
13	1	Spring .....		
14	2	Rotating seal ring, SiC .....		
15	2	O-ring .....		
44	1	O-ring, for seal housing .....		
50	1	O-ring .....		
51	1	Sec. stationary seal ring .....		
52	1	Drive ring .....		
56	2	Cup .....		

EPDM                      FPM                      FEP

**Service kit for single shaft seal (incl. Q-doc)**

Service kit LKHUP-10 .....	9611922339	9611922338	9611922340
Service kit LKHUP-20 .....	9611922357	9611922356	9611922358
Service kit LKHUP-25/35/45 .....	9611922375	9611922374	9611922376
Service kit LKHUP-40/60 .....	9611922393	9611922392	9611922394
Service kit LKHUP-70 .....	9611920549	9611920550	9611920551

**Service kit for double mechanical shaft (incl. Q-doc)**

Service kit LKHUP-10 .....	9611922345	9611922344	9611922346
Service kit LKHUP-20 .....	9611922363	9611922362	9611922364
Service kit LKHUP-25/35/45 .....	9611922381	9611922380	9611922382
Service kit LKHUP-40/60 .....	9611922399	9611922398	9611922400
Service kit LKHUP-70 .....	9611920552	9611920553	9611920554

Note: All service kits are as standard delivered with Q-doc, including 3.1 certification on product wetted steel parts and declarations of conformity.

Parts marked with □● are included in the service kits.

Recommended spare parts: Service kits.

Conversion kit single to double mechanical shaft seal : Please order Double mechanical service kit + pos. 40a + 41 + 42

(900064/15)

**How to contact Alfa Laval**

Contact details for all countries are continually updated on our website.

Please visit [www.alfalaval.com](http://www.alfalaval.com) to access the information directly.

© Alfa Laval Corporate AB

This document and its contents is owned by Alfa Laval Corporate AB and protected by laws governing intellectual property and thereto related rights. It is the responsibility of the user of this document to comply with all applicable intellectual property laws. Without limiting any rights related to this document, no part of this document may be copied, reproduced or transmitted in any form or by any means (electronic, mechanical, photocopying, recording, or otherwise), or for any purpose, without the expressed permission of Alfa Laval Corporate AB. Alfa Laval Corporate AB will enforce its rights related to this document to the fullest extent of the law, including the seeking of criminal prosecution.