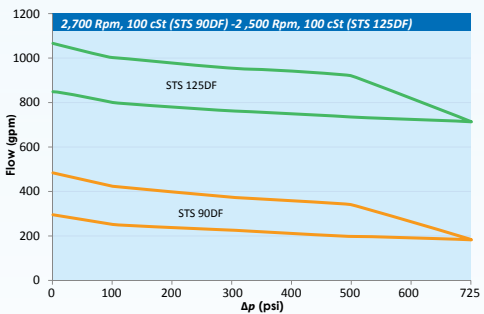
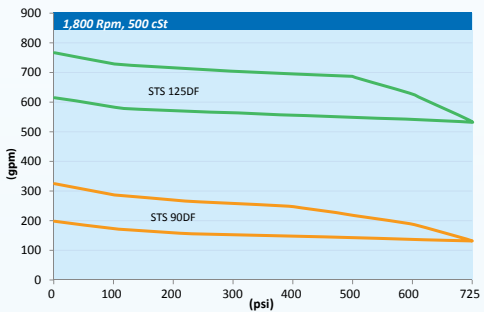
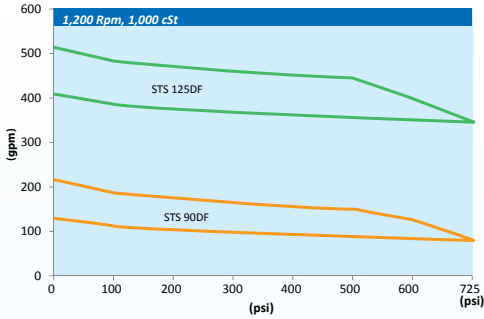


Axiflow DF High Pressure Series Pumps

High Pressure Pumps Curves

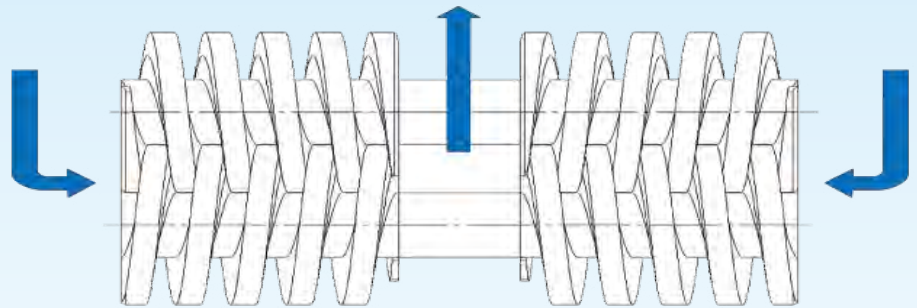


High Pressure Sizes Available

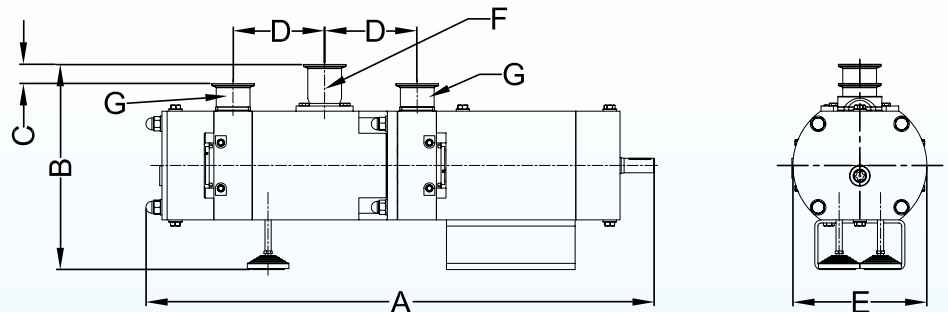
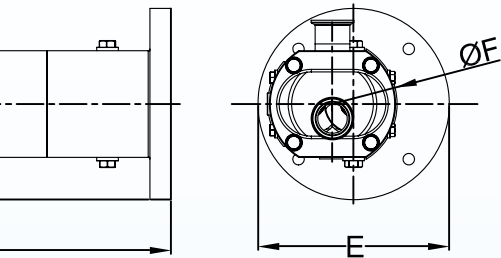
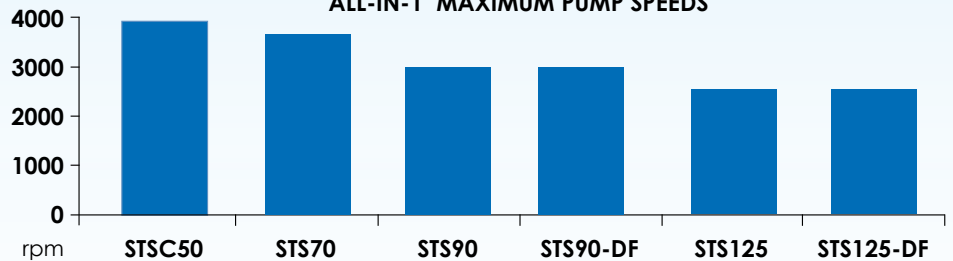
- STS 90DF-23
- STS 90DF-28
- STS 90DF-38
- STS 125DF-36
- STS 125DF-45



Capable of 725 PSI Differential Pressure



ALL-IN-1 MAXIMUM PUMP SPEEDS



High Pressure Pumps

Dimensions (In)				Top Connection Size	Endcover Connection Size	Weight (Lbs)
C	D	E	F	G	H	
8.82	6.14	9.84	5.87	1 1/2" - 2"	1 1/2" - 3"	82
11.61	8.62	13.78	7.83	2" - 2 1/2"	2" - 3"	150
13.15	10.83	13.78	10.20	2 1/2" - 4"	2 1/2" - 4"	335

Pump Model	Nominal Capacity (Gpm)	Maximum Soft Solid Size (In)	Nominal Dimensions (In)					Inlet (2x)	Outlet	Weight (Lbs)
			A	B	C	D	E			
STS 90DF	4.4 - 500	3/4"	38.58	16.38	2.24	7.01	10.20	2" - 2 1/2"	2" - 3"	685
STS 125DF	50 - 1,030	7/8"	46.71	23.50	3.00	10.73	13.74	3" - 4"	3" - 4"	1,500