

# Pipetite® and Fire-Rated Installations

## Fire Rating Clarification

Pipetite® products are not fire rated. They are designed to hygienically seal pipe penetrations, including the sealing of fire-rated materials such as:

- Intumescent sheet or collars
- Fire-rated fiberglass
- Fire-resistant foam or silicone

These materials are commonly installed within wall cavities to meet building fire code requirements. Pipetite® acts as the hygienic seal at the room-side surface, enclosing the penetration and preventing fibers or materials from entering hygienic or clean environments. See illustration A.

Similar to a stainless steel flange, which also lacks a fire rating, but unlike Pipetite®, it does not seal the penetration from the hygienic room.

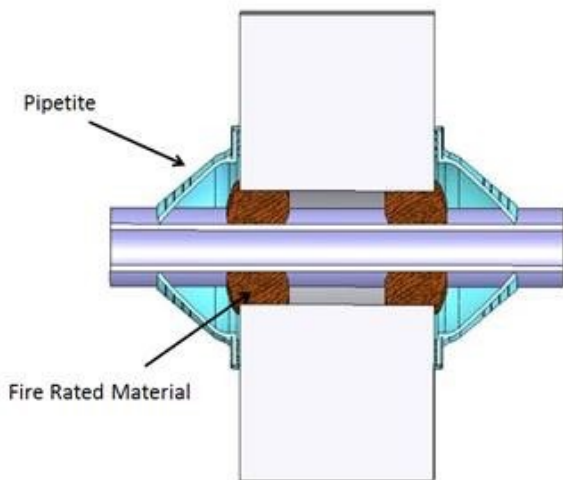


Illustration A: Pipetite® sealing over fire-rated material inside a wall cavity. This diagram shows fire-rated material installed within the wall cavity, while Pipetite® seals the pipe and prevents any exposed material from entering the cleanroom. This is the same as a stainless steel flange which has no fire rating. A stainless flange, however, does not seal the Fire Rated Material installed behind it, from the hygienic room.

## Fire-Rated Materials and Clean Environments

Most fire-rated products are not suitable for exposure in hygienic spaces where cleanliness and dust control are required. For instance:

- Fire-rated silicone and foam have limited flexibility
- Many firestop materials can shed particles or degrade over time

Pipetite® addresses these challenges by offering a cleanable, flexible seal that complements – but does not replace – fire-rated materials.

## Recommended Installation Approach

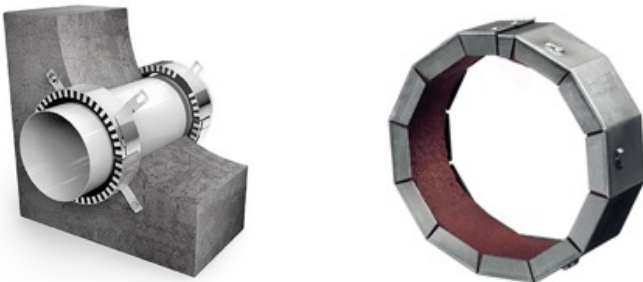
Where fire rating is required:

1. Install fire-rated material (such as fiberglass, foam, or intumescent collars) inside the wall cavity. See Illustration B for examples of intumescent collars commonly used beneath Pipetite® to meet fire safety requirements.
2. Ensure correct product selection to avoid rigidity that limits pipe movement.
3. Apply Pipetite® over the wall opening, sealing both the pipe and the cavity to the hygienic space.

This approach allows for:

- Angular and axial pipe movement
- Sealing off fire-rated materials from entering the clean room
- Compliance with hygienic standards

Illustration B: Commonly used fire collars compatible with Pipetite® installations.



## Flexibility Advantages

Pipetite® is ideal for installations where flexibility or pipe movement is required. Fireproofing materials such as silicone or foam typically limit expansion to just 1–2 mm and do not allow for sideways or angular motion.

For applications that require movement, a recommended approach is to first install fire-rated fiberglass between the pipe and the inside of the wall cavity. The Pipetite® is then applied over the wall surface to hygienically seal the aperture, while also preventing the fiberglass material from entering the clean-room environment.

Note: Always consult a qualified fire engineer to ensure that the selected materials and installation method meet the specific fire protection requirements of your facility and local code.

**This information is provided by the manufacturer. CSI does not independently verify or warrant its accuracy.**