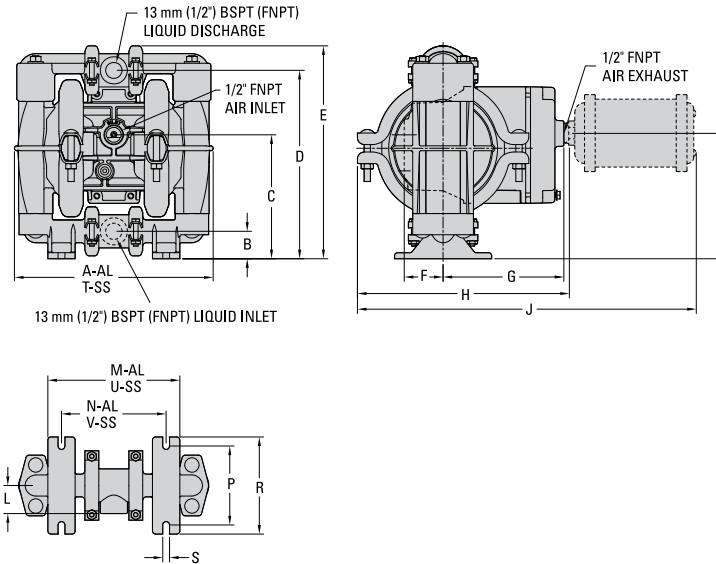


PS1 METAL PUMP

13 mm (1/2") Pump
Maximum Flow Rate:
60.2 lpm (15.9 gpm)

DIMENSIONAL DRAWINGS

PS1 Metal



DIMENSIONS

ITEM	METRIC (mm)	STANDARD (inch)
A	208	8.2
B	28	1.1
C	130	5.1
D	198	7.8
E	224	8.8
F	41	1.6
G	126	5.0
H	216	8.5
J	354	14.0
K	131	5.2
L	30	1.2
M	137	5.4
N	109	4.3
P	84	3.3
R	102	4.0
S	8	0.3
T	203	8.0
U	142	5.6
V	112	4.4

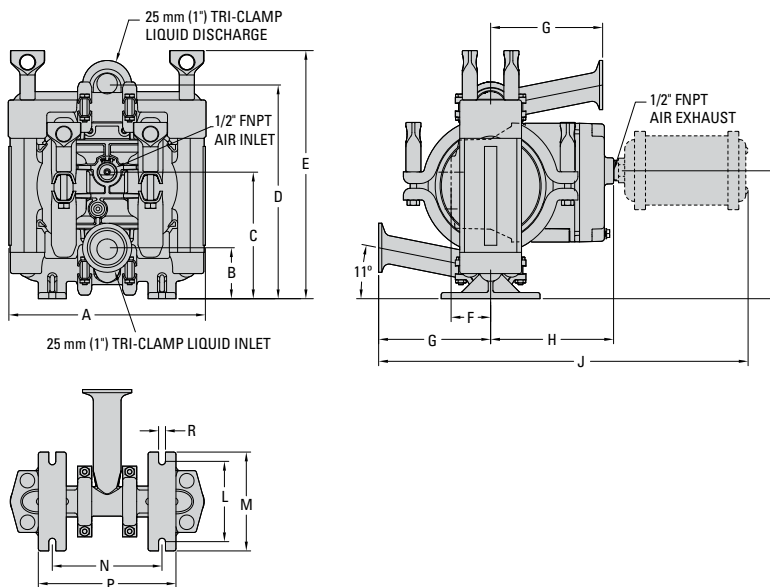
LW0361 REV. A

PUMP DATA

Specifications:

- Ship Weight..... Aluminum 6 kg (13 lb)
 Stainless Steel 9 kg (20 lb)
- Air Inlet6 mm (1/4")
- Liquid Inlet..... 13 mm (1/2")
- Liquid Outlet..... 13 mm (1/2")

PS1 Metal Saniflo™



DIMENSIONS

ITEM	METRIC (mm)	STANDARD (inch)
A	203	8.0
B	53	2.1
C	130	5.1
D	218	8.6
E	257	10.1
F	41	1.6
G	114	4.5
H	126	5.0
J	380	15.0
K	131	5.2
L	84	3.3
M	102	4.0
N	112	4.4
P	142	5.6
R	8	0.3

LW0362 REV. A

PS1 METAL PUMP

PERFORMANCE

**PS1 METAL
 PTFE-FITTED**

Max. Flow Rate.....59.8 lpm (15.8 gpm)
 Max. Inlet Pressure8.6 bar (125 psig)
 Max. Solids Passage..... 1.59 mm (1/16")
 Max. Suction Lift.....4.3 m Dry (14.2')
 9.7 m Wet (31.7')

