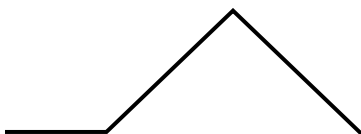
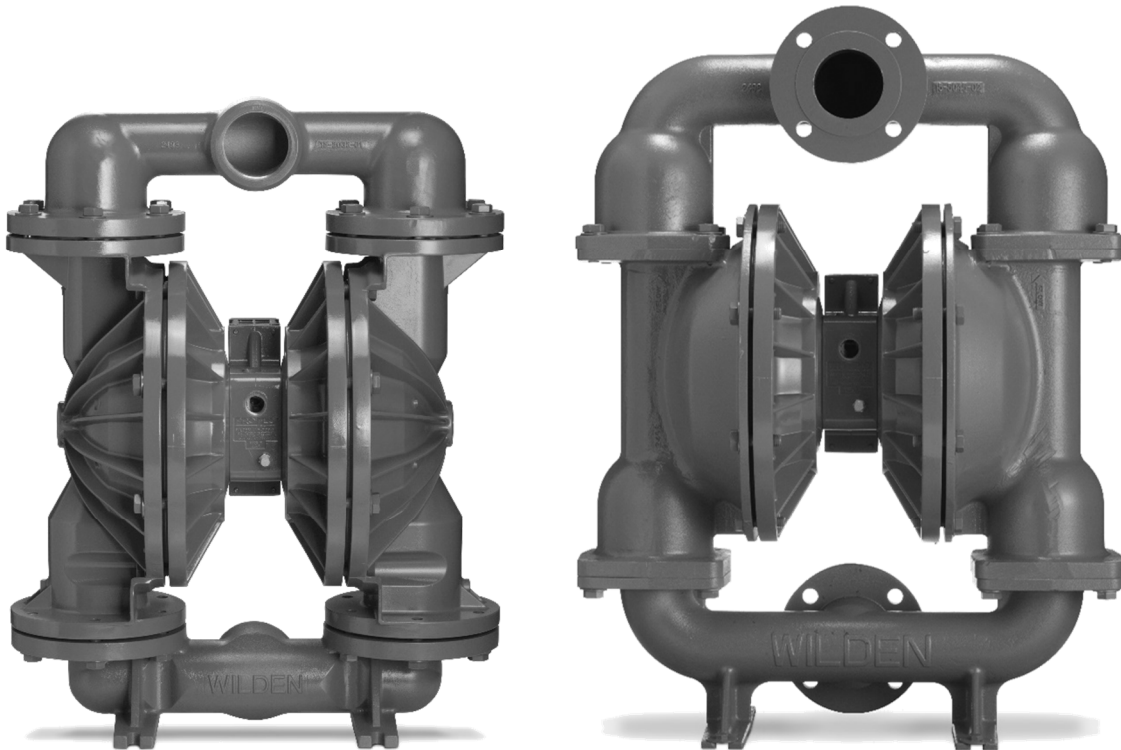


EOM

ENGINEERING OPERATION
& MAINTENANCE MANUAL

PS1520/PS1530 Bolted Metal Pump



Where Innovation Flows

WILDEN®



Copyright

Copyright 2018 PSG®, a Dover Company. All rights reserved.

PSG reserves the right to modify the information and illustrations in this document without prior notice. The product described in this document is furnished under a license agreement or nondisclosure agreement. No part of this document may be reproduced, stored in a retrieval system, or transmitted in any form or any means electronic or mechanical, including photocopying and recording, without the written permission of PSG, a Dover Company, except as described by the terms of those agreements.

This is a non-contractual document.

Trademarks

PSG and the PSG logo are registered trademarks of PSG. Wilden® is a registered trademark of PSG California LLC. Pro-Flo® SHIFT and Pro-Flo® are registered trademarks of PSG California LLC. Wil-Flex® is a trademark of PSG California LLC. Saniflex™ is a trademark of PSG California LLC.

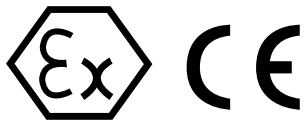
All trademarks, names, logos and service marks (collectively “trademarks”) in this document are registered and unregistered trademarks of their respective owners. Nothing contained in this document should be construed as granting any license or right to use any trademark without the prior written permission of the trademark owner.

Warranty

Each and every product manufactured by Wilden is built to meet the highest standards of quality. Every pump is functionally tested to ensure integrity of operation. Wilden warrants that pumps, accessories and parts manufactured or supplied by it to be free from defects in material and workmanship for a period of five (5) years from date of installation or six (6) years from date of manufacture, whichever comes first.

For more information, and to register your Wilden pump for warranty, please visit <https://www.psgdover.com/wilden/support/warranty-registration>.

Certifications



CONTENTS

SECTION 1: Precautions – Read First! 4

SECTION 2: Wilden Pump Designation System 5

SECTION 3: How It Works 6

SECTION 4: Dimensional Drawings 7

SECTION 5: Performance 10

 PS1520/PS1530 Metal Rubber-Fitted 10

 PS1520/PS1530 Metal EZ-Install TPE-Fitted 10

 PS1520/PS1530 Metal Full-Stroke PTFE-Fitted 11

 PS1520/PS1530 Ductile Iron Full-Stroke PTFE-Fitted 11

 Suction Lift Capability 12

SECTION 6: Suggested Installation, Operation, Maintenance, and Troubleshooting 14

SECTION 7: Disassembly/Reassembly 17

 Pump Disassembly 17

 Air Valve/Center Section Disassembly 20

 Single-Point Exhaust 23

 Reassembly Hints and Tips 21

SECTION 8: Exploded View and Parts List 25

SECTION 9: Elastomer Options 29

SECTION 1

PRECAUTIONS – READ FIRST!



WARNING: Always wear safety glasses when operating a pump to avoid eye injury. If diaphragm rupture occurs, material being pumped may be forced out of the air exhaust.



CAUTION: Do not apply compressed air to the exhaust port – pump will not function.



CAUTION: Do not over-lubricate air supply– excess lubrication will reduce pump performance. Pump is pre-lubed.



TEMPERATURE LIMITS:

Acetal	-29°C to 82°C	-20°F to 180°F
Buna-N	-12°C to 82°C	10°F to 180°F
Geolast®	-40°C to 82°C	-40°F to 180°F
Neoprene	-18°C to 93°C	0°F to 200°F
Nordel EPDM	-51°C to 138°C	-60°F to 280°F
Nylon	-18°C to 93°C	0°F to 200°F
PFA	-7°C to 107°C	45°F to 225°F
Polypropylene	0°C to 79°C	32°F to 175°F
Polyurethane	-12°C to 66°C	10°F to 150°F
PVDF	-12°C to 107°C	10°F to 225°F
Saniflex	-29°C to 104°C	-20°F to 220°F
SIPD PTFE with EPDM-backed	4°C to 137°C	40°F to 280°F
SIPD PTFE with Neoprene-backed	4°C to 93°C	40°F to 200°F
PTFE*	4°C to 104°C	40°F to 220°F
FKM	-40°C to 177°C	-40°F to 350°F
Wil-Flex	-40°C to 107°C	-40°F to 225°F

*4°C to 149°C (40°F to 300°F) - 13 mm (1/2") and 25 mm (1") models only.

NOTE: Not all materials are available for all models. See "Wilden Pump Designation System" for material options for your pump.



CAUTION: When choosing pump materials, be sure to check the temperature limits for all wetted components. Example: FKM has a maximum limit of 177°C (350°F), but polypropylene has a maximum limit of only 79°C (175°F).



CAUTION: Maximum temperature limits are based on mechanical stress only. Certain chemicals will reduce maximum safe operating temperatures significantly. Consult the Chemical Resistance Guide for chemical compatibility and temperature limits.



CAUTION: All Wilden pumps are capable of passing solids. Use a strainer on the pump intake to ensure that the pump's rated solids capacity is not exceeded.



CAUTION: Do not exceed 8.6 bar (125 psig) air supply pressure.



CAUTION: Do not exceed 82°C (180°F) air inlet temperature for all models.



CAUTION: The process fluid and cleaning fluids must be compatible chemically with all wetted pump components.



CAUTION: Before attempting any maintenance or repair, disconnect the compressed air line to the pump and allow all air pressure to bleed from the pump. Disconnect all intake, discharge, and air lines. Drain the pump by turning it upside down and allowing any fluid to flow into a suitable container. Be aware of any hazardous effects of contact with your process fluid.



CAUTION: Thoroughly flush pumps before installing them into process lines. Clean and/or sanitize FDA- and USDA- approved pumps before using them.



CAUTION: Before attaching the air line to the pump, blow out the air line for 10 to 20 seconds to make sure all pipeline debris is clear. Use an in-line air filter. A 5µ (micron) air filter is recommended.



CAUTION: Pro-Flo pumps cannot be used in submersible applications. Pro-Flo SHIFT is available in both single-point exhaust (submersible) and standard (non-submersible) options. Do not use standard Pro-Flo SHIFT models in submersible applications.



CAUTION: Before installation, tighten all hardware.



NOTE: Materials of construction and elastomer material may influence suction lift parameters. Please refer to "Performance" for specifics.



NOTE: When installing PTFE diaphragms, it is important to tighten outer pistons simultaneously (turning in opposite directions) to ensure tight fit. (See "Maximum Torque Specifications").



NOTE: Some PTFE-fitted pumps come standard from the factory with expanded PTFE gaskets installed in the diaphragm bead of the liquid chamber. PTFE gaskets cannot be re-used.



NOTE: In the event of a power failure, close the shut-off valve if you do not want the pump to restart when the power returns.



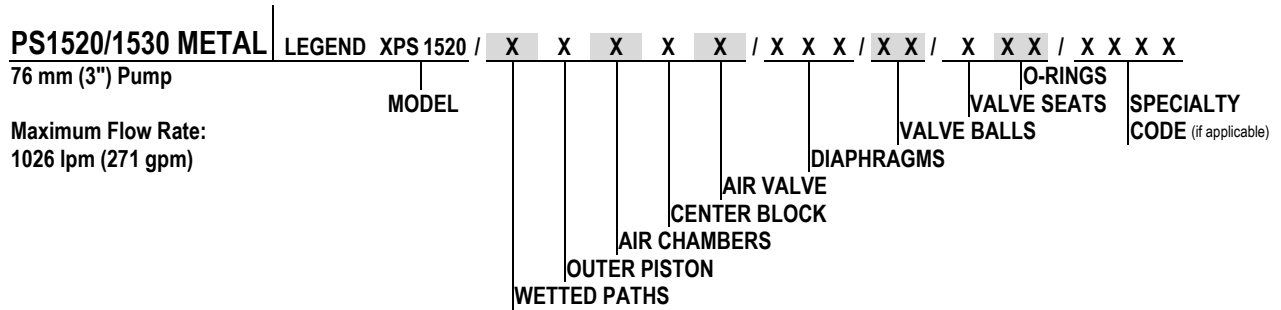
NOTE: The Safety Supplement document is a part of the manual. Please refer to the Safety Supplement document for a complete list of safety considerations including considerations for safe operation and maintenance of pumps marked for ATEX environments before starting the pump.



WARNING: This product can expose you to chemicals including Nickel, Chromium, Cadmium, or Cobalt, which are known to the State of California to cause cancer and/or birth defects or other reproductive harm. For more information, go to www.P65Warnings.ca.gov.

SECTION 2

WILDEN PUMP DESIGNATION SYSTEM



MATERIAL CODES

<p>MODEL XPS1520 = PRO-FLO® SHIFT ATEX THREADED PORTS XPS1530 = PRO-FLO® SHIFT ATEX FLANGED PORTS PS1520 = PRO-FLO® SHIFT THREADED PORTS PS1530 = PRO-FLO® SHIFT FLANGED PORTS</p> <p>WETTED PATH A = ALUMINUM H = ALLOY C S = STAINLESS STEEL W = DUCTILE IRON</p> <p>OUTER PISTON A = ALUMINUM H = ALLOY C S = STAINLESS STEEL W = DUCTILE IRON Z = NO OUTER PISTON</p> <p>AIR CHAMBERS A = ALUMINUM S = STAINLESS STEEL</p> <p>CENTER BLOCK A = ALUMINUM P = POLYPROPYLENE S = STAINLESS STEEL</p>	<p>AIR VALVE A = ALUMINUM P = POLYPROPYLENE R = ANODIZED ALUMINUM S = STAINLESS STEEL</p> <p>DIAPHRAGMS BNS = BUNA-N (RED DOT) EPS = EPDM (BLUE DOT) FWL = SANITARY WIL-FLEX™, IPD [SANTOPRENE® (TWO BLACK DOTS)] FWS = SANITARY WIL-FLEX™, EZ-INSTALL [SANTOPRENE® (TWO BLACK DOTS)] NES = NEOPRENE (GREEN DOT) SSL = FULL-STROKE SANIFLEX™ IPD [HYTREL® (CREAM)] TSS = FULL-STROKE PTFE W/SANIFLEX™ BACK-UP TWS = FULL-STROKE PTFE W/WIL-FLEX™ BACK-UP VTS = FKM (WHITE DOT) WWL = WIL-FLEX™ IPD [SANTOPRENE® (THREE BLACK DOTS)] ZGS = GEOLAST®, EZ-INSTALL (BLACK) ZPS = POLYURETHANE, EZ-INSTALL (CLEAR) ZSS = SANIFLEX™, EZ-INSTALL [HYTREL® (CREAM)] ZWS = WIL-FLEX™, EZ-INSTALL [SANTOPRENE® (THREE BLACK DOTS)]</p>	<p>VALVE BALLS BN = BUNA-N (RED DOT) EP = EPDM (BLUE DOT) FS = SANIFLEX™ [HYTREL® (CREAM)] FW = SANITARY WIL-FLEX™ [SANTOPRENE® (TWO BLACK DOTS)] NE = NEOPRENE (GREEN DOT) PU = POLYURETHANE (BROWN) TF = PTFE (WHITE) VT = FKM (WHITE DOT) WF = WIL-FLEX™ [SANTOPRENE® (THREE BLACK DOTS)]</p> <p>VALVE SEAT BN = BUNA-N (RED DOT) EP = EPDM (BLUE DOT) FS = SANIFLEX™ [HYTREL® (CREAM)] FW = SANITARY WIL-FLEX™ [SANTOPRENE® (TWO BLACK DOTS)] H = ALLOY C M = MILD STEEL NE = NEOPRENE (GREEN DOT) PU = POLYURETHANE (BROWN) S = STAINLESS STEEL WF = WIL-FLEX™ [SANTOPRENE® (THREE BLACK DOTS)]</p> <p>VALVE SEAT O-RING TF = PTFE</p>
--	--	--

SPECIALTY CODES

0014 BSPT	0320 Single-Point Exhaust	0504 DIN flange
0100 Wil-Gard 110V	0480 Pump Cycle Monitor (sensor & wires)	
0102 Wil-Gard sensor wires ONLY	0483 Pump Cycle Monitor (module, sensor & wires)	
0103 Wil-Gard 220V	0485 Pump Cycle Monitor (module, sensor & wires), DIN flange	

! **NOTE:** Most elastomeric materials use colored dots for identification

! **NOTE:** Not all models are available with all material options

SECTION 3

HOW IT WORKS – AIR-OPERATED DOUBLE-DIAPHRAGM PUMP

The Wilden diaphragm pump is an air-operated, positive displacement, self-priming pump. These drawings show flow pattern through the pump upon its initial stroke. It is assumed the pump has no fluid in it prior to its initial stroke.

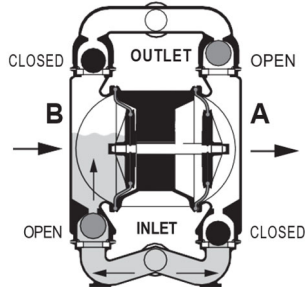


FIGURE 1 The air valve directs pressurized air to the back side of diaphragm A. The compressed air is applied directly to the liquid column separated by elastomeric diaphragms. The diaphragm acts as a separation membrane between the compressed air and liquid; a balanced load removes mechanical stress from the diaphragm. The compressed air moves the diaphragm away from the center of the pump. The opposite diaphragm is pulled in by the shaft connected to the pressurized diaphragm. Diaphragm B is on its suction stroke; air behind the diaphragm has been forced out to atmosphere through the exhaust port of the pump. The movement of diaphragm B toward the center of the pump creates a vacuum within chamber B. Atmospheric pressure forces fluid into the inlet manifold forcing the inlet valve ball off its seat. Liquid is free to move past the inlet valve ball and fill the liquid chamber (see shaded area).

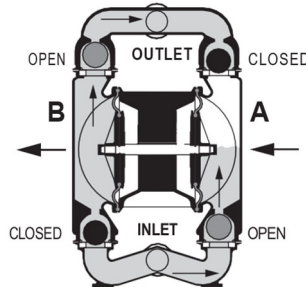


FIGURE 2 When the pressurized diaphragm, diaphragm A, reaches the limit of its discharge stroke, the air valve redirects pressurized air to the back side of diaphragm B. The pressurized air forces diaphragm B away from the center while pulling diaphragm A to the center. Diaphragm B is now on its discharge stroke. Diaphragm B forces the inlet valve ball onto its seat due to the hydraulic forces developed in the liquid chamber and manifold of the pump. These same hydraulic forces lift the discharge valve ball off its seat, while the opposite discharge valve ball is forced onto its seat, forcing fluid to flow through the pump discharge. The movement of diaphragm A toward the center of the pump creates a vacuum within liquid chamber A. Atmospheric pressure forces fluid into the inlet manifold of the pump. The inlet valve ball is forced off its seat allowing the fluid being pumped to fill the liquid chamber.

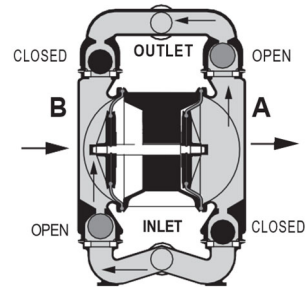
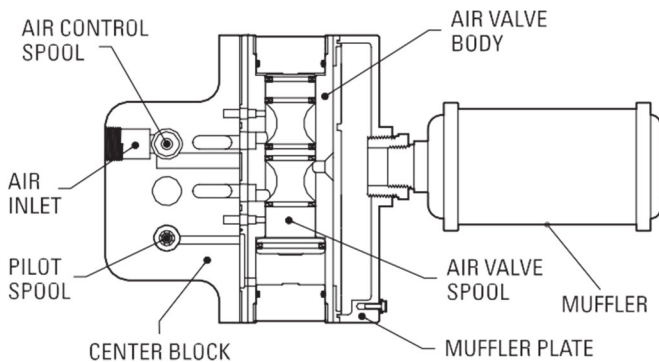


FIGURE 3 At completion of the stroke, the air valve again redirects air to the back side of diaphragm A, which starts diaphragm B on its exhaust stroke. As the pump reaches its original starting point, each diaphragm has gone through one exhaust and one discharge stroke. This constitutes one complete pumping cycle. The pump may take several cycles to completely prime depending on the conditions of the application.

HOW IT WORKS – AIR DISTRIBUTION SYSTEM

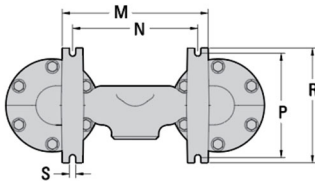
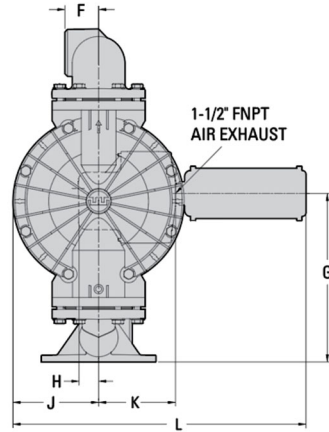
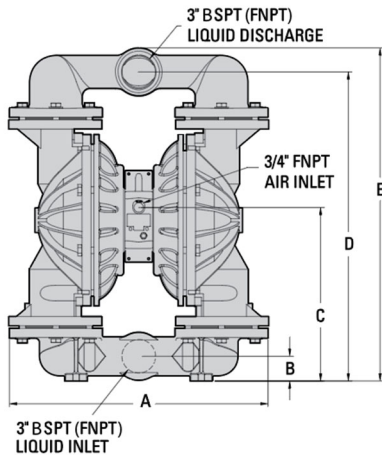


The heart of the patented Pro-Flo® SHIFT Air Distribution System (ADS) is the air valve assembly. The air valve design incorporates an unbalanced spool with the small end of the spool being pressurized continuously while the large end of the spool is alternately pressurized, then exhausted to move the spool. The air valve spool directs pressurized air to one chamber while exhausting the other. The air forces the main shaft/diaphragm assembly to move to one side – discharging liquid on that side and pulling liquid in on the other side. When the shaft reaches the end of the stroke, the inner piston actuates the pilot spool, which controls the air to the large end of the air valve spool. The repositioning of the air valve spool routes the air to the other air chamber. The air control spool allows air to flow freely into the air chamber for the majority of each pump stroke, but it significantly restricts the flow of air into the air chamber when activated by the inner piston near the end of each stroke.

SECTION 4

DIMENSIONAL DRAWING

PS1520 ALUMINUM

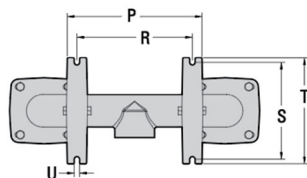
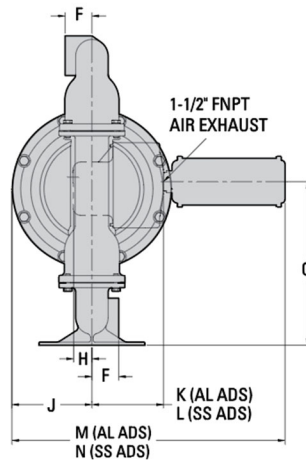
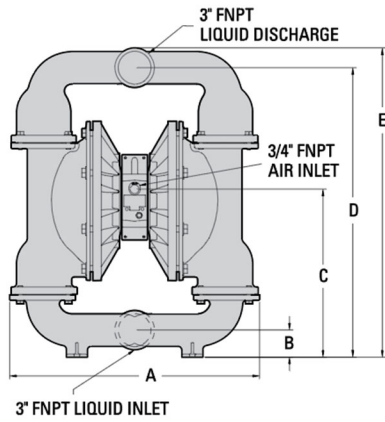


DIMENSIONS

ITEM	METRIC (mm)	STANDARD (inch)
A	635	25.0
B	61	2.4
C	426	16.8
D	759	29.9
E	818	32.2
F	84	3.3
G	414	16.3
H	48	1.9
J	211	8.3
K	189	7.4
L	720	28.4
M	358	14.1
N	307	12.1
P	257	10.1
R	282	11.1
S	15	0.6

LW0258 REV. C

PS1520 METAL



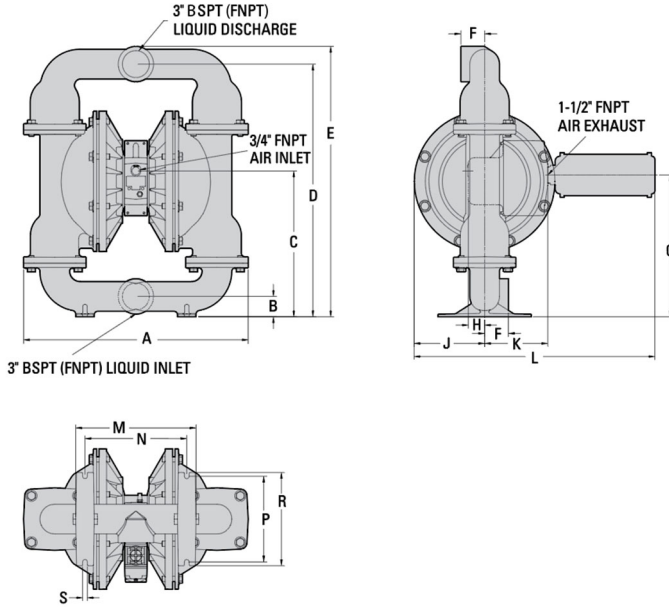
DIMENSIONS

ITEM	METRIC (mm)	STANDARD (inch)
A	635	25.9
B	71	2.8
C	443	17.5
D	765	30.1
E	815	32.1
F	71	2.8
G	431	17.0
H	48	1.9
J	211	8.3
K	189	7.4
L	184	7.3
M	721	28.4
N	715	28.2
P	356	14.0
R	305	12.0
S	257	10.1
T	279	11.0
U	15	0.6

LW0259 REV. D

DIMENSIONAL DRAWING

PS1520 DUCTILE IRON

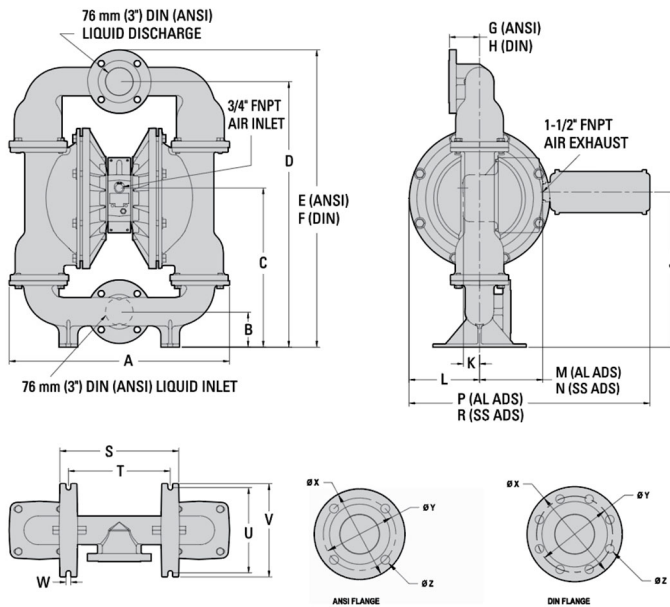


DIMENSIONS

ITEM	METRIC (mm)	STANDARD (inch)
A	673	26.5
B	61	2.4
C	437	17.2
D	757	29.8
E	810	31.9
F	71	2.8
G	425	16.7
H	48	1.9
J	211	8.3
K	189	7.4
L	721	28.4
M	360	14.2
N	305	12.0
P	257	10.1
R	279	11.0
S	15	0.6

LW0350 REV. C

PS1530 METAL



DIMENSIONS

ITEM	METRIC (mm)	STANDARD (inch)
A	659	26.0
B	105	4.1
C	477	18.8
D	796	31.3
E	890	35.1
F	891	35.3
G	90	3.6
H	88	3.5
J	465	18.3
K	48	1.9
L	211	8.3
M	189	7.4
N	184	7.3
P	721	28.4
R	715	28.2
S	356	14.0
T	305	12.0
U	256	10.1
V	279	11.0
W	14	0.6

ANSI

	DIN (mm)	ANSI (Inch)
X	191 DIA.	7.5 DIA.
Y	152 DIA.	6.0 DIA.
Z	19 DIA.	0.8 DIA.

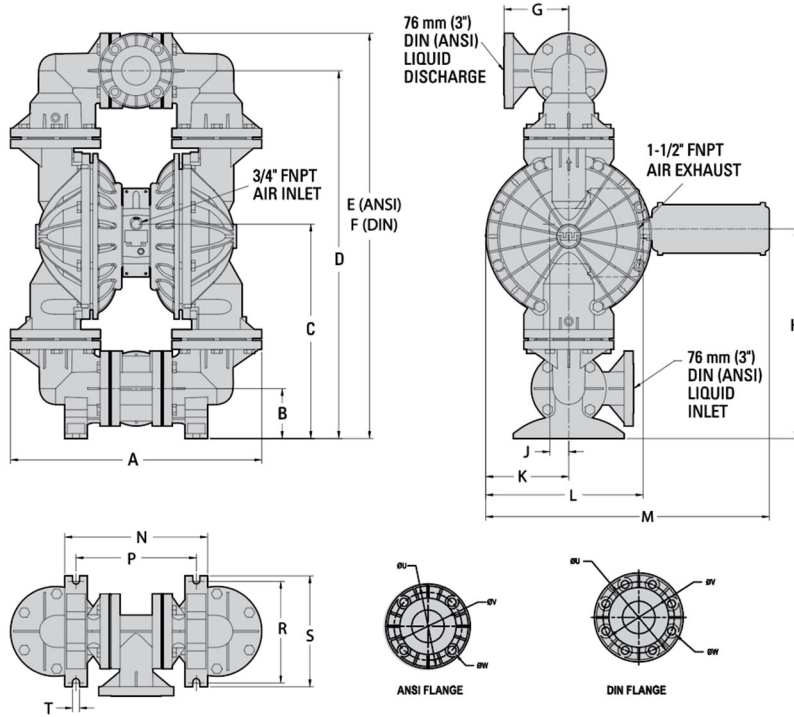
DIN

	DIN (mm)	ANSI (Inch)
X	200 DIA.	7.9 DIA.
Y	160 DIA.	6.3 DIA.
Z	18 DIA.	0.7 DIA.

LW0260 REV. E

DIMENSIONAL DRAWING

PS1530 ALUMINUM



DIMENSIONS

ITEM	METRIC (mm)	STANDARD (inch)
A	639	25.2
B	127	5.0
C	545	21.5
D	935	36.8
E	1031	40.6
F	1035	40.7
G	165	6.5
H	533	21.0
J	49	1.9
K	211	8.3
L	400	15.8
M	721	28.4
N	363	14.3
P	306	12.1
R	258	10.2
S	282	11.1
T	18	0.7
ANSI		
	DIN (mm)	ANSI (Inch)
U	191 DIA.	7.5 DIA.
V	152 DIA.	6.0 DIA.
W	19 DIA.	0.8 DIA.
DIN		
	DIN (mm)	ANSI (Inch)
U	200 DIA.	7.9 DIA.
V	160 DIA.	6.3 DIA.
W	18 DIA.	0.7 DIA.

LW0363 REV. C

SECTION 5

PERFORMANCE

PS1520/PS1530 METAL RUBBER-FITTED

	Ship Weight:
	1520 Threaded AL 69 kg (152 lb)
	1520 Threaded SS 126 kg (278 lb)
	1520 Threaded Iron 114 kg (251 lb)
	1530 Flanged AL 101 kg (223 lb)
	1530 Flanged SS 137 kg (300 lb)
	1530 Flanged Iron 124 kg (272 lb)
	1530 Flanged Alloy C 153 kg (337 lb)
Air Inlet.....	3/4"
Inlet.....	76 mm (3")
Outlet.....	76 mm (3")
Suction Lift.....	7.2 m Dry (23.8') AL
	9.0 m Wet (29.5') AL
	6.0 m Dry (19.7') SS
	8.6 m Wet (28.4') SS
	6.7 m Dry (22.1') Iron
	9.7 m Wet (31.8') Iron
Disp. per Stroke ¹	5.1 L (1.35 gal) AL
	5.0 L (1.32 gal) SS
	5.0 L (1.31 gal) Iron
Max. Flow Rate.....	1026 lpm (271 gpm)
Max. Size Solids.....	12.7 mm (1/2")

¹Displacement per stroke was calculated at 4.8 bar (70 psig) air inlet pressure against a 2.1 bar (30 psig) head pressure.

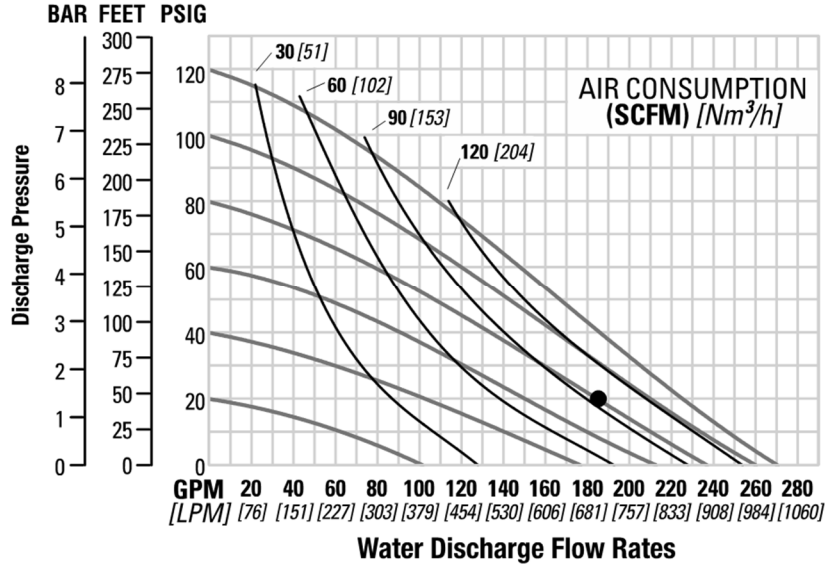
Example: To pump 700 lpm (185 gpm) against a discharge head of 1.4 bar (20 psig) requires 5.5 bar (80 psig) and 161 Nm³/h (95 scfm) air consumption.

PS1520/PS1530 METAL EZ-INSTALL TPE-FITTED

	Ship Weight:
	1520 Threaded AL 69 kg (152 lb)
	1520 Threaded SS 126 kg (278 lb)
	1520 Threaded Iron 114 kg (251 lb)
	1530 Flanged AL 101 kg (223 lb)
	1530 Flanged SS 137 kg (300 lb)
	1530 Flanged Iron 124 kg (272 lb)
	1530 Flanged Alloy C 153 kg (337 lb)
Air Inlet.....	3/4"
Inlet.....	76 mm (3")
Outlet.....	76 mm (3")
Suction Lift.....	6.4 m Dry (21.1') AL
	9.0 m Wet (29.5') AL
	5.4 m Dry (17.6') SS
	8.6 m Wet (28.4') SS
	5.2 m Dry (17.0') Iron
	9.7 m Wet (31.8') Iron
Disp. per Stroke ¹	5.1 L (1.35 gal) AL
	5.4 L (1.43 gal) SS
	5.1 L (1.34 gal) Iron
Max. Flow Rate.....	1026 lpm (271 gpm)
Max. Size Solids.....	12.7 mm (1/2")

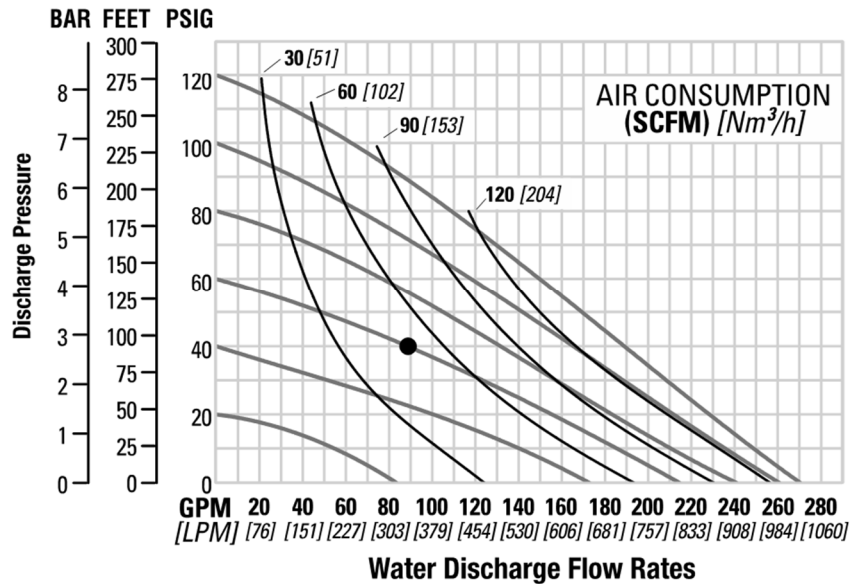
¹Displacement per stroke was calculated at 4.8 bar (70 psig) air inlet pressure against a 2.1 bar (30 psig) head pressure.

Example: To pump 337 lpm (89 gpm) against a discharge head of 2.8 bar (40 psig) requires 4.1 bar (60 psig) and 85 Nm³/h (50 scfm) air consumption.



Flow rates indicated on chart were determined by pumping water. For optimum life and performance, pumps should be specified so that daily operation parameters will fall in the center of the pump's performance curve.

Caution: Do not exceed 8.6 bar (125 psig) air supply pressure.



Flow rates indicated on chart were determined by pumping water. For optimum life and performance, pumps should be specified so that daily operation parameters will fall in the center of the pump's performance curve.

Caution: Do not exceed 8.6 bar (125 psig) air supply pressure.

PERFORMANCE

**PS1520/PS1530 METAL
FULL-STROKE
PTFE-FITTED**

Ship Weight:
1520 Threaded AL 69 kg (152 lb)
1520 Threaded SS 126 kg (278 lb)
1530 Flanged AL 101 kg (223 lb)
1530 Flanged SS 137 kg (300 lb)
1530 Flanged Alloy C 153 kg (337 lb)

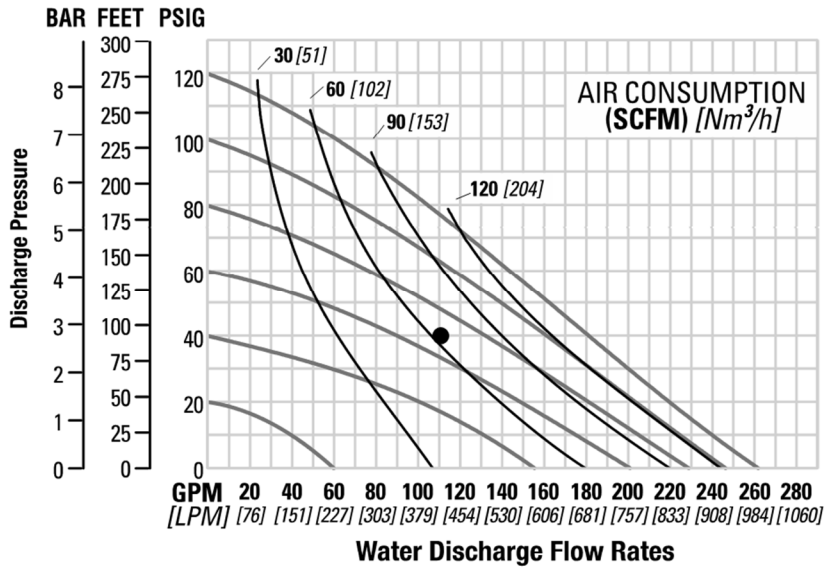
Air Inlet.....3/4"
Inlet.....76 mm (3")
Outlet.....76 mm (3")
Suction Lift.....6.2 m Dry (20.2') AL
8.6 m Wet (28.4') AL
5.9 m Dry (19.3') SS
8.6 m Wet (28.4') SS

Disp. per Stroke¹.....4.9 L (1.30 gal) AL
5.0 L (1.32 gal) SS

Max. Flow Rate.....992 lpm (262 gpm)
Max. Size Solids.....12.7 mm (1/2")

¹Displacement per stroke was calculated at 4.8 bar (70 psig) air inlet pressure against a 2.1 bar (30 psig) head pressure.

Example: To pump 420 lpm (111 gpm) against a discharge head of 2.8 bar (40 psig) requires 4.8 bar (70 psig) and 110 Nm³/h (65 scfm) air consumption.



Flow rates indicated on chart were determined by pumping water. For optimum life and performance, pumps should be specified so that daily operation parameters will fall in the center of the pump's performance curve.

Caution: Do not exceed 8.6 bar (125 psig) air supply pressure.

**PS1520/PS1530 DUCTILE
IRON FULL-STROKE
PTFE-FITTED**

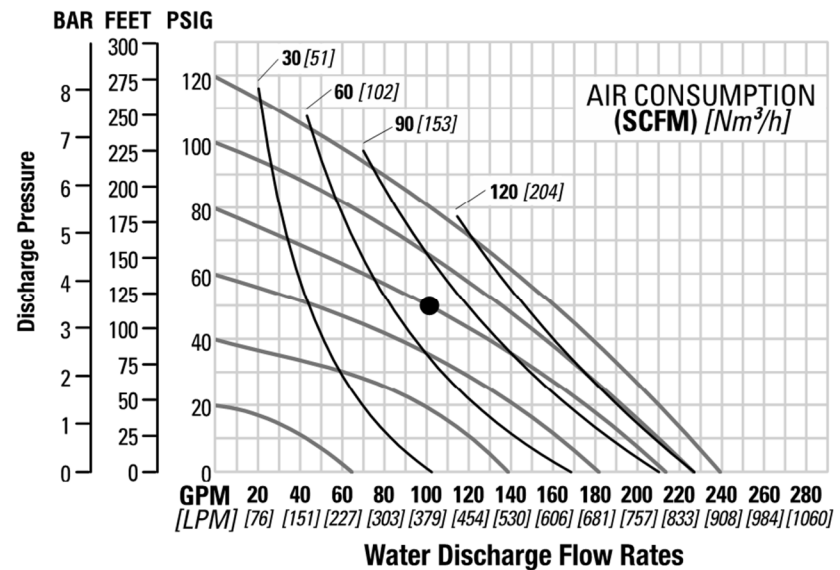
Ship Weight:
1520 Threaded Iron 114 kg (251 lb)
1530 Flanged Iron 124 kg (272 lb)

Air Inlet.....3/4"
Inlet.....76 mm (3")
Outlet.....76 mm (3")
Suction Lift.....5.94 m Dry (19.5')
9.66 m Wet (31.7')

Disp. per Stroke¹.....4.8 L (1.26 gal)
Max. Flow Rate.....874 lpm (231 gpm)
Max. Size Solids.....12.7 mm (1/2")

¹Displacement per stroke was calculated at 4.8 bar (70 psig) air inlet pressure against a 2.1 bar (30 psig) head pressure.

Example: To pump 379 lpm (100 gpm) against a discharge head of 3.4 bar (50 psig) requires 5.5 bar (80 psig) and 118 Nm³/h (75 scfm) air consumption.



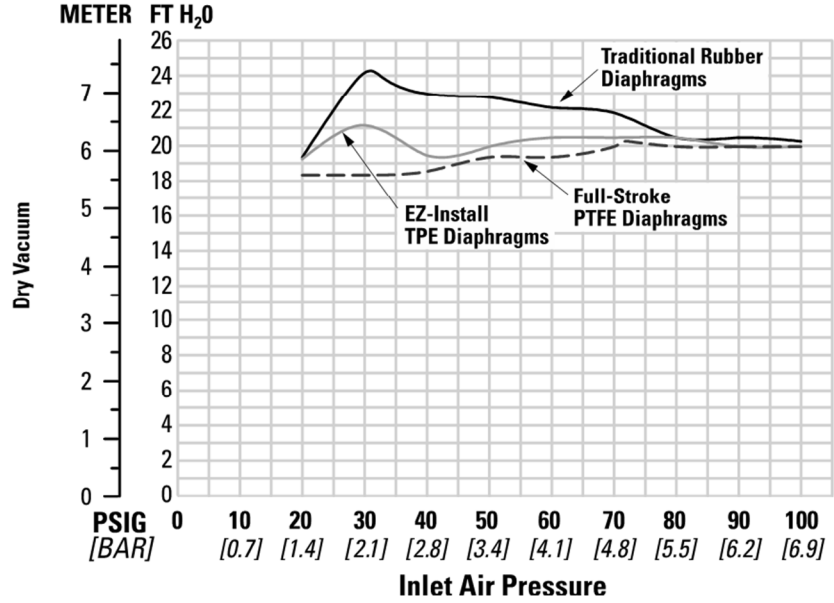
Flow rates indicated on chart were determined by pumping water. For optimum life and performance, pumps should be specified so that daily operation parameters will fall in the center of the pump's performance curve.

Caution: Do not exceed 8.6 bar (125 psig) air supply pressure.

SUCTION LIFT CAPABILITY

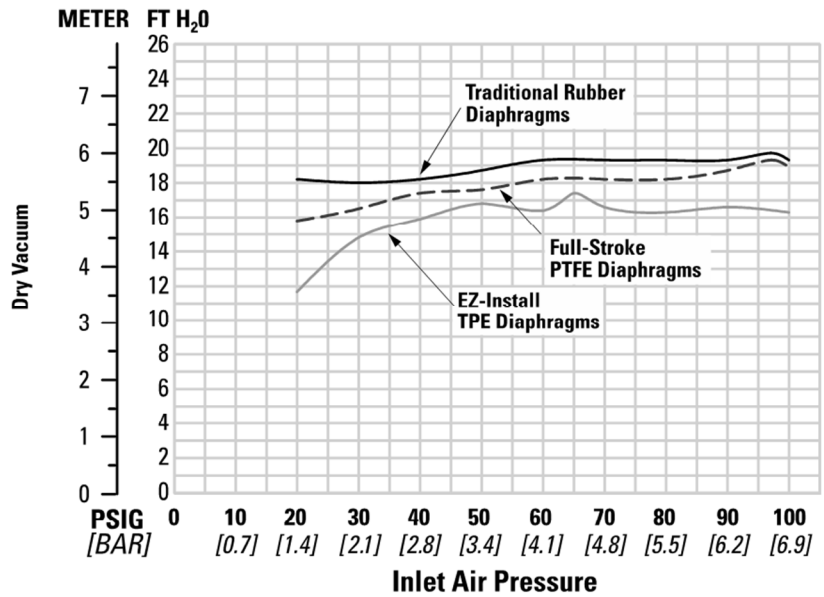
**PS1520/PS1530
ALUMINUM SUCTION LIFT
CAPABILITY**

Suction-lift curves are calibrated for pumps operating at 305 m (1,000') above sea level. This chart is meant to be a guide only. There are many variables that can affect your pump's operating characteristics. The number of intake and discharge elbows, viscosity of pumping fluid, elevation (atmospheric pressure) and pipe friction loss all affect the amount of suction lift your pump will attain.



**PS1520/PS1530
STAINLESS STEEL
SUCTION LIFT
CAPABILITY**

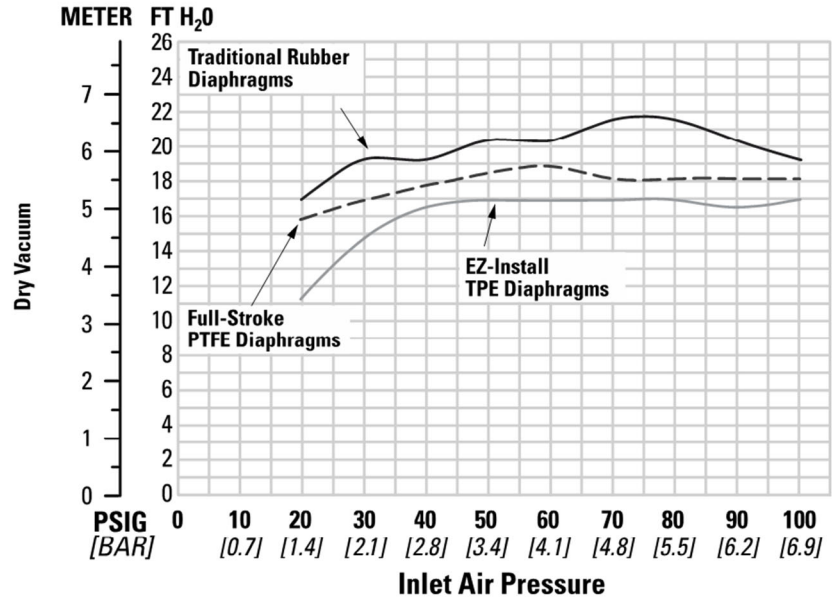
Suction-lift curves are calibrated for pumps operating at 305 m (1,000') above sea level. This chart is meant to be a guide only. There are many variables that can affect your pump's operating characteristics. The number of intake and discharge elbows, viscosity of pumping fluid, elevation (atmospheric pressure) and pipe friction loss all affect the amount of suction lift your pump will attain.



SUCTION LIFT CAPABILITY

PS1520/PS1530 DUCTILE IRON SUCTION LIFT CAPABILITY

Suction-lift curves are calibrated for pumps operating at 305 m (1,000') above sea level. This chart is meant to be a guide only. There are many variables that can affect your pump's operating characteristics. The number of intake and discharge elbows, viscosity of pumping fluid, elevation (atmospheric pressure) and pipe friction loss all affect the amount of suction lift your pump will attain.



SECTION 6

**SUGGESTED INSTALLATION, OPERATION, MAINTENANCE
AND TROUBLESHOOTING**

Wilden pumps are designed to meet the performance requirements of even the most demanding pumping applications. They have been designed and manufactured to the highest standards and are available in a variety of liquid path materials to meet your chemical resistance needs. Refer to "Performance" for an in-depth analysis of the performance characteristics of your pump. Wilden offers the widest variety of elastomer options in the industry to satisfy temperature, chemical compatibility, abrasion resistance and flex concerns.

The suction pipe size should be at least equal to or larger than the diameter size of the suction inlet on your Wilden pump. The suction hose must be a non-collapsible, reinforced type because these pumps are capable of pulling a high vacuum. Discharge piping should also be equal to or larger than the diameter of the pump discharge, which will help reduce friction losses.

CAUTION: All fittings and connections must be airtight. Otherwise, pump suction capability will be reduced or lost.

Months of careful planning, study and selection efforts can result in unsatisfactory pump performance if installation details are left to chance. You can avoid premature failure and long-term dissatisfaction by exercising reasonable care throughout the installation process.

Location

Noise, safety and other logistical factors usually dictate where equipment will be situated on the production floor. Multiple installations with conflicting requirements can result in congestion of utility areas, leaving few choices for additional pumps. Within the framework of these and other existing conditions, locate every pump in such a way that the following six key factors are balanced against each other to maximum advantage:

- **Access:** First, the location should be accessible. If it's easy to reach the pump, maintenance personnel will be able to perform routine inspections and adjustments more easily. If major repairs become necessary, ease of access can play a key role in speeding the repair process and reducing total downtime.
- **Air Supply:** Every pump location should have an air line large enough to supply the volume of air necessary to achieve the desired pumping rate. For best results, the pumps should use a 5µ (micron) air filter, needle valve and regulator. The use of an air filter before the pump will ensure that the majority of any pipeline contaminants will be eliminated.
- **Solenoid Operation:** When operation is controlled by a solenoid valve in the air line, three-way valves should be used. This valve allows trapped air between the valve and the pump to bleed off, which improves pump performance. You can estimate pumping volume by counting the number of strokes per minute, and then multiplying that figure by the displacement per stroke.
- **Muffler:** Using the standard Wilden muffler, sound levels are reduced below OSHA specifications. You can use other mufflers to reduce sound levels farther, but they usually reduce pump performance.
- **Elevation:** Selecting a site that is well within the pump's dynamic lift capability will assure that loss-of-prime issues will

be eliminated. In addition, pump efficiency can be adversely affected if proper attention is not given to site location.

- **Piping:** Final determination of the pump site should not be made until the piping challenges of each possible location have been evaluated. The impact of current and future installations should be considered ahead of time to make sure that inadvertent restrictions are not created for any remaining sites.

The best choice possible will be a site involving the shortest and straightest hook-up of suction and discharge piping. Unnecessary elbows, bends and fittings should be avoided. Pipe sizes should be selected to keep friction losses within practical limits. All piping should be supported independently of the pump. In addition, the piping should be aligned to avoid placing stress on the pump fittings.

Flexible hose can be installed to aid in absorbing the forces created by the natural reciprocating action of the pump. If the pump is to be bolted down to a solid location, a mounting pad placed between the pump and the foundation will assist in minimizing pump vibration. Flexible connections between the pump and rigid piping will also assist in minimizing pump vibration. If quick-closing valves are installed at any point in the discharge system, or if pulsation within a system becomes a problem, a surge suppressor (SD Equalizer) should be installed to protect the pump, piping and gauges from surges and water hammer.

If the pump is to be used in a self-priming application, make sure that all connections are airtight and that the suction lift is within the model's ability.

NOTE: Materials of construction and elastomer material have an effect on suction lift parameters. Please refer to "Performance" for specifics.

When pumps are installed in applications involving flooded suction or suction head pressures, a gate valve should be installed in the suction line to permit closing of the line for pump service.

Pumps in service with a positive suction head are most efficient when inlet pressure is limited to 0.5–0.7 bar (7–10 psig). Premature diaphragm failure may occur if positive suction is 0.7 bar (10 psig) and higher.

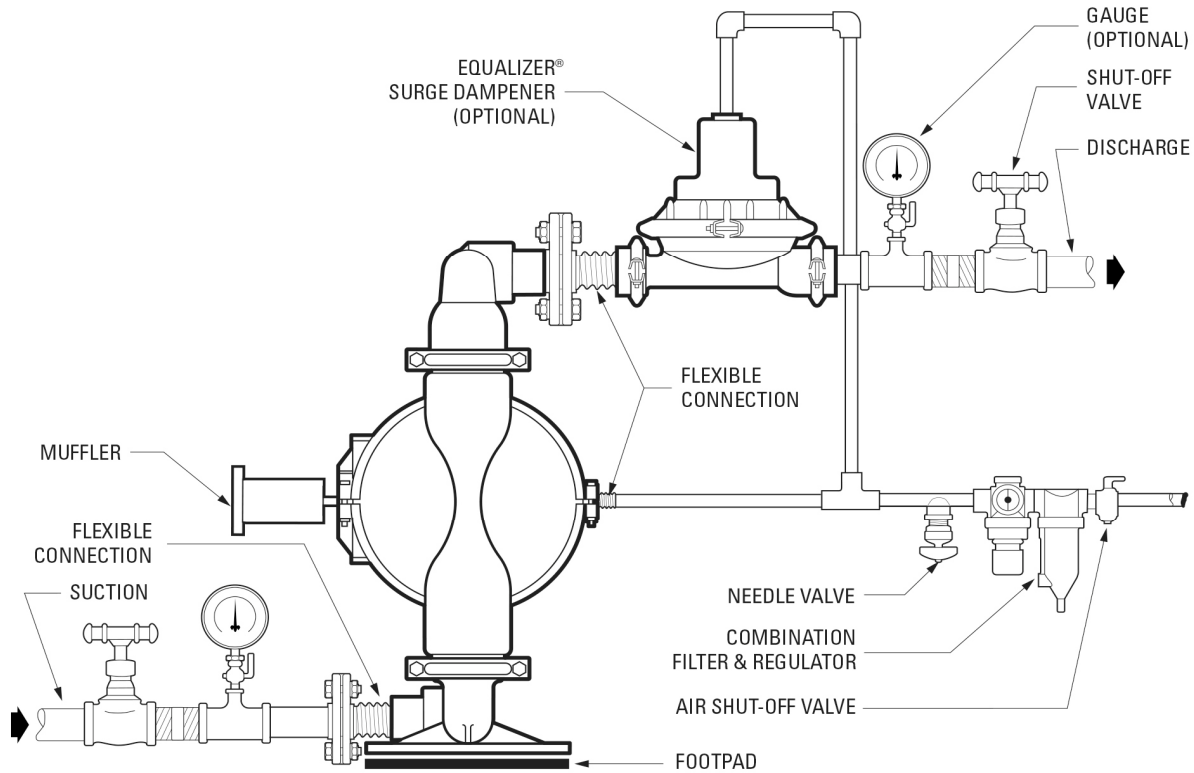
Single-Point Exhaust

Pro-Flo SHIFT pumps can be used for submersible applications when using the Pro-Flo SHIFT's single-point exhaust.

CAUTION: All Wilden pumps are capable of passing solids. Use a strainer on the pump intake to ensure that the pump's rated solids capacity is not exceeded.

CAUTION: Do not exceed 8.6 bar (125 psig) air supply pressure.

**SUGGESTED INSTALLATION, OPERATION, MAINTENANCE
AND TROUBLESHOOTING**



! **NOTE:** In the event of a power failure, close the shut-off valve if you do not want the pump to restart when the power returns.

Air-Operated Pumps: To stop the pump from operating in an emergency, simply close the shut-off valve (user-supplied) installed in the air supply line. A properly functioning valve will stop the air supply to the pump, therefore stopping output. This shut-off valve should be located far enough away from the pumping equipment such that it can be reached safely in an emergency.

Operation

The Pro-Flo SHIFT pumps are pre-lubricated and do not require in-line lubrication. Additional lubrication will not damage the pump. However, if the pump is heavily lubricated by an external source, the pump's internal lubrication maybe washed away. If the pump is then moved to a nonlubricated location, it may need to be disassembled and re-lubricated as described in "Disassembly/ Reassembly".

Pump discharge rate can be controlled by limiting the volume and/or pressure of the air supply to the pump. An air regulator is used to regulate air pressure. A needle valve is used to regulate volume. Pump discharge rate also can be controlled by throttling the pump discharge by partially closing a valve in the discharge line of the pump. This action increases friction loss, which reduces flow rate. (See "Performance") This is useful when the need exists

to control the pump from a remote location. When the pump discharge pressure equals or exceeds the air supply pressure, the pump will stop. No bypass or pressure relief valve is needed, and pump damage will not occur. The pump has reached a "deadhead" situation and can be restarted by reducing the fluid discharge pressure or increasing the air inlet pressure. Wilden Pro-Flo SHIFT pumps run solely on compressed air and do not generate heat. Therefore, your process fluid temperature will not be affected.

Maintenance and Inspections

Because each application is unique, maintenance schedules maybe different for every pump. Frequency of use, line pressure, viscosity and abrasiveness of process fluid all affect the parts life of a Wilden pump. Periodic inspections have been found to offer the best means for preventing unscheduled pump downtime. Personnel familiar with the pump's construction and service should be informed of any abnormalities that are detected during operation.

SUGGESTED INSTALLATION, OPERATION, MAINTENANCE AND TROUBLESHOOTING

Troubleshooting

Pump will not run or runs slowly.

1. Remove plug from pilot spool exhaust.
2. Ensure that the air inlet pressure is at least 0.4 bar (5 psig) above startup pressure and that the differential pressure (the difference between air inlet and liquid discharge pressures) is not less than 0.7 bar (10 psig).
3. Check air inlet filter for debris (see "Suggested Installation, Operation, Maintenance and Troubleshooting").
4. Check for extreme air leakage (blow by) that would indicate worn seals/bores in the air valve, pilot spool and main shaft.
5. Disassemble the pump and check for obstructions in the air passageways or objects that would obstruct the movement of internal parts.
6. Check for sticking ball check valves.
 - a. If material being pumped is not compatible with pump elastomers, swelling may occur. Replace ball check valves and seals with proper elastomers.
 - b. Also, as the check valve balls wear out, they become smaller and can become stuck in the seats. In this case, replace balls and seats.
7. Check for any broken inner piston that would cause the air valve spool to be unable to shift.

Pump runs, but little or no product flows.

1. Check for pump cavitation. Slow pump speed down to allow thick material to flow into liquid chambers.
2. Verify that vacuum required to lift liquid is not greater than the vapor pressure of the material being pumped (cavitation).
3. Check for sticking ball check valves.
 - a. If material being pumped is not compatible with pump elastomers, swelling may occur. Replace ball check valves and seals with proper elastomers.
 - b. Also, as the check valve balls wear out, they become smaller and can become stuck in the seats. In this case, replace balls and seats.

Pump air valve freezes.

1. Check for excessive moisture in the compressed air.
 - a. Either install a dryer or a hot air generator for compressed air.
 - b. Alternatively, you may use coalescing filter to remove the water from the compressed air in some applications.

Air bubbles in pump discharge.

1. Check for a ruptured diaphragm.
2. Check tightness of outer pistons (see "Disassembly/Reassembly").
3. Check tightness of fasteners and integrity of O-rings and seals, especially at intake manifold.
4. Ensure pipe connections are airtight.

Product comes out air exhaust.

1. Check for a diaphragm rupture.
2. Check the tightness of the outer pistons to the shaft.

SECTION 7

DISASSEMBLY / REASSEMBLY

PUMP DISASSEMBLY

Tools Required:

- 9/16" Socket Wrench
- 5/16" Socket Wrench
- 1-1/8" Socket Wrench
- Vise equipped with soft jaws (such as plywood, plastic or other suitable material)



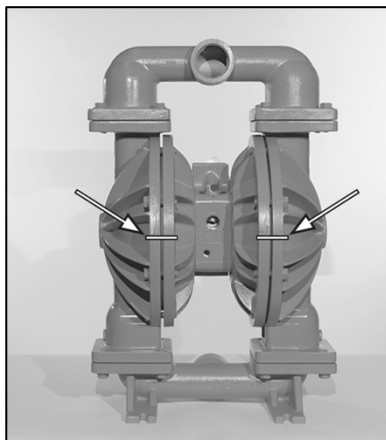
CAUTION: Before attempting any maintenance or repair, disconnect the compressed air line to the pump and allow all air pressure to bleed from the pump. Disconnect all intake, discharge, and air lines. Drain the pump by turning it upside down and allowing any fluid to flow into a suitable container. Be aware of any hazardous effects of contact with your process fluid.



NOTE: Your specific pump model may vary from the configuration shown; however, pump disassembly procedure will be the same.

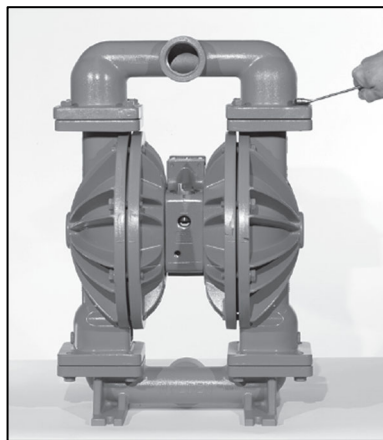


NOTE: Replace worn parts with genuine Wilden parts for reliable performance.



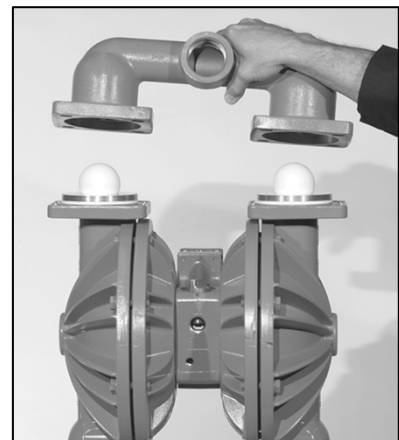
Step 1

Before starting disassembly, mark a line from each liquid chamber to its corresponding air chamber. This line will assist in proper alignment during reassembly.



Step 2

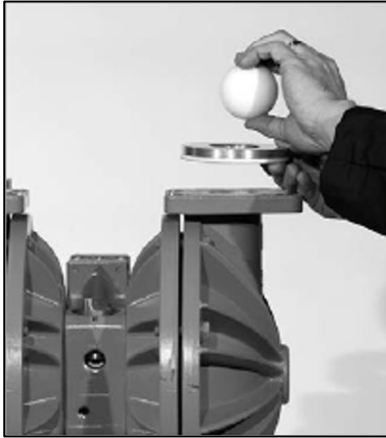
Using the appropriate-sized wrench, loosen the discharge manifold from the liquid chambers.



Step 3

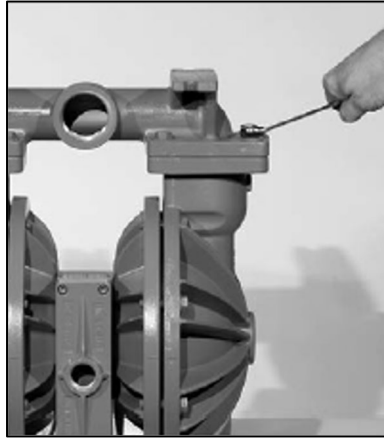
Lift the discharge manifold to expose discharge valve balls and valve seats. Inspect ball cage area of manifold for excessive wear or damage.

DISASSEMBLY / REASSEMBLY



Step 4

Remove the discharge valve balls and valve seats from the liquid chambers and inspect for nicks, gouges, chemical attack or abrasive wear. Replace worn parts with genuine Wilden parts for reliable performance.



Step 5

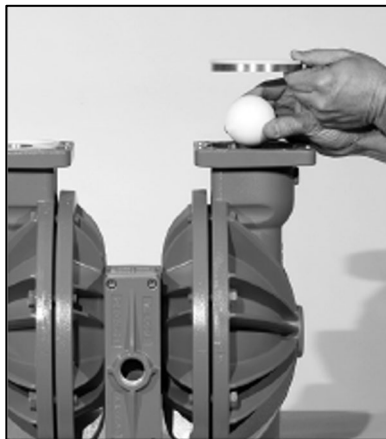
Using the appropriate-sized wrench, loosen the inlet manifold from the liquid chambers.

NOTE: Inverting the pump will facilitate removal of inlet manifold.



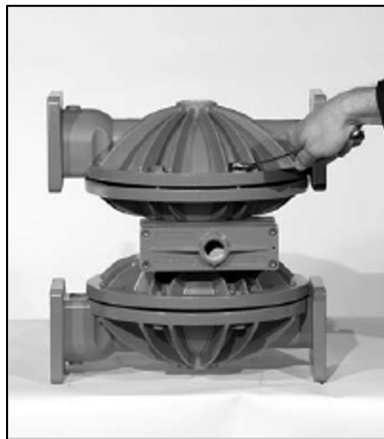
Step 6

Remove the inlet manifold to expose the valve balls and valve seats. Inspect ball cage area of manifold for excessive wear or damage.



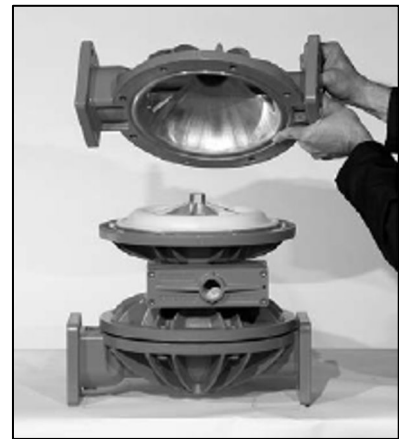
Step 7

Remove the inlet valve balls and valve seats from the inlet manifold and liquid chambers and inspect for nicks, gouges, chemical attack or abrasive wear. Replace worn parts with genuine Wilden parts for reliable performance.



Step 8

Using the appropriate-sized wrench, remove the liquid chamber from the center section.



Step 9

The liquid chamber should be removed to expose the diaphragm and outer piston using an adjustable wrench. Remove the diaphragm assembly from the center section. Repeat for opposite side.

DISASSEMBLY / REASSEMBLY



Step 10

Inspect the diaphragm assembly for wear, damage or chemical attack. Replace any damaged components with genuine Wilden parts for reliable performance.



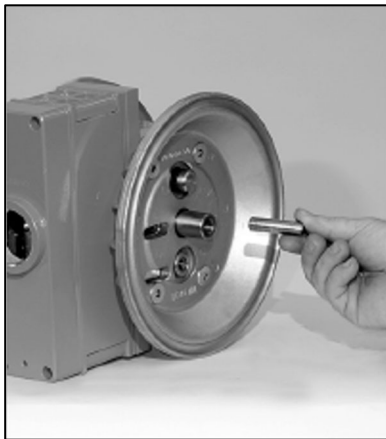
Step 11

Inner piston hardware location and fastener type may vary. Use an appropriately-sized socket wrench to disassemble the diaphragm assembly if replacement is necessary.



Step 12

To remove the diaphragm assembly from shaft, secure shaft with soft jaws (aluminum, plastic, or plywood) to ensure the shaft is not damaged. Using an adjustable wrench, remove the diaphragm assembly from the shaft.



Step 13

Remove outer piston and stud if equipped. Inspect for wear and replace if necessary.

DISASSEMBLY / REASSEMBLY

AIR VALVE / CENTER SECTION DISASSEMBLY

Tools Required:

- 3/16" Hex-Head Wrench
- 1/4" Hex-Head Wrench
- Snap-Ring Pliers
- O-Ring Pick



CAUTION: Before attempting any maintenance or repair, disconnect the compressed air line to the pump and allow all air pressure to bleed from the pump. Disconnect all intake, discharge, and air lines. Drain the pump by turning it upside down and allowing any fluid to flow into a suitable container. Be aware of any hazardous effects of contact with your process fluid.



NOTE: Replace worn parts with genuine Wilden parts for reliable performance.



NOTE: For pump Air Valves fitted with Pump Cycle Monitor (PCM) units, if the Set Screw is removed from the Air Valve Spool and/or the Sensor is removed from the Air Valve End Cap, refer to PCMI EOM WIL-19130-E for reassembly instructions.



Step 1

Using a pair of snap-ring pliers, remove the snap ring from the pilot sleeve.



Step 2

Using an O-ring pick, remove the O-ring from modulator spool.



Step 3

Using the appropriate-sized wrench, loosen and remove the fasteners that attach the air chamber to the center section.



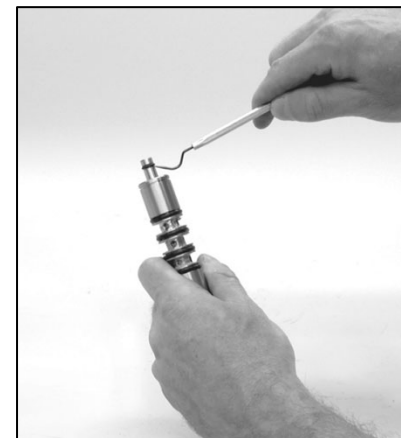
Step 4

Lift the air chamber away from the center section and remove the center block gasket. Replace gasket, if necessary.



Step 5

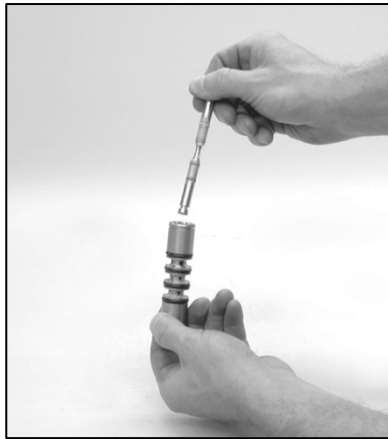
Turn the assembly over and remove the pilot spool sleeve from the center section.



Step 6

Using an O-ring pick, gently remove the O-ring from the opposite side of the dimpled end of the pilot spool.

DISASSEMBLY / REASSEMBLY



Step 7

Gently remove the pilot spool from the sleeve and inspect for nicks, wear or damage. Replace the pilot spool assembly or sleeve O-rings, if necessary. During reassembly, never insert the dimpled end of the pilot spool first. This will damage the single urethane O-ring bypassing it over the ports in the pilot sleeve.

NOTE: Do not remove seals from the assembly. Seals are not sold separately.



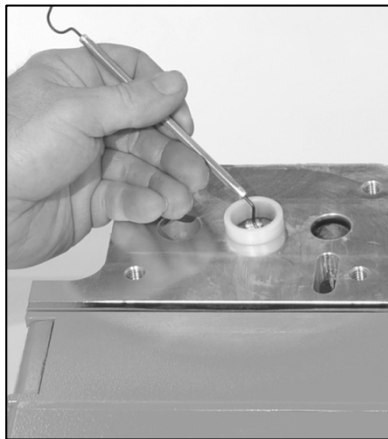
Step 8

Remove the modulator spool from the center section. Check for wear to the spool or O-rings and replace, if necessary.



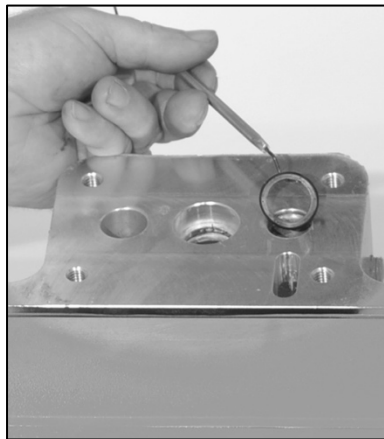
Step 9

Using the appropriate-sized wrench, loosen the fasteners and lift away remaining air chamber and center block gasket from center section. Replace gasket if necessary.



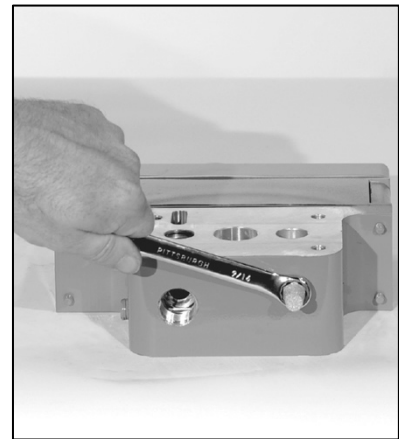
Step 10

Using an O-ring pick, remove the two (2) shaft bushings from center block. Inspect and replace if necessary. Using an O-ring pick, gently remove the two (2) Glyd™ rings from the center block. Inspect and replace if necessary.



Step 11

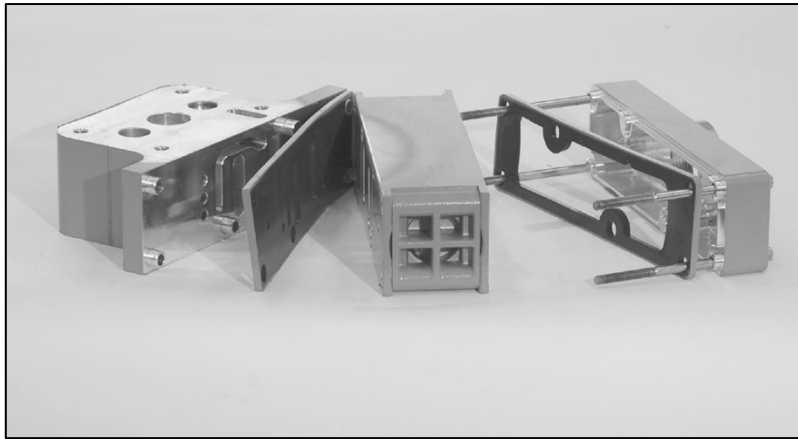
Using an O-ring pick, remove the two (2) Glyd™ rings from modulator spool bore. Inspect and replace if necessary.



Step 12

Using an appropriate-sized wrench, remove the pilot exhaust muffler. Inspect for damage or contamination and replace if necessary.

DISASSEMBLY / REASSEMBLY

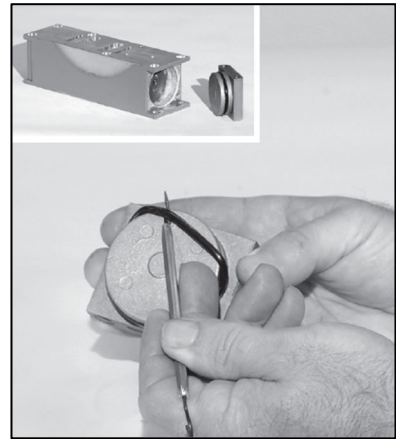


Step 13

Loosen and remove the four (4) air valve bolts from the center section assembly.

Lift the muffer plate and muffer plate gasket away from the center block. Inspect for wear and replace, if necessary.

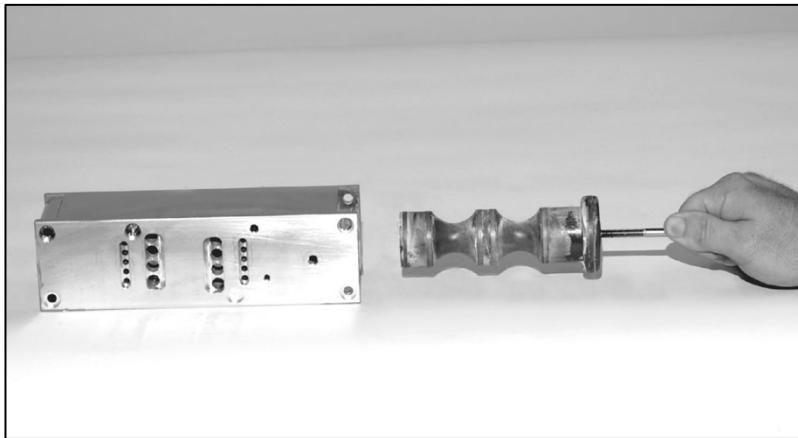
Lift the air valve assembly and remove the air valve gasket. Inspect the gasket and replace, if necessary.



Step 14

Remove the air valve end cap to expose the air valve spool by lifting up on the end cap. Inspect the O-ring on the end cap using an O-ring pick. Replace the O-ring(s), if necessary.

NOTE: The Pro-Flo SHIFT air valve incorporates an end cap at both ends of the air valve.



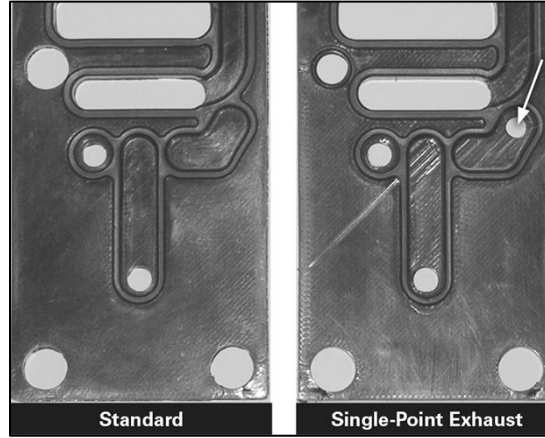
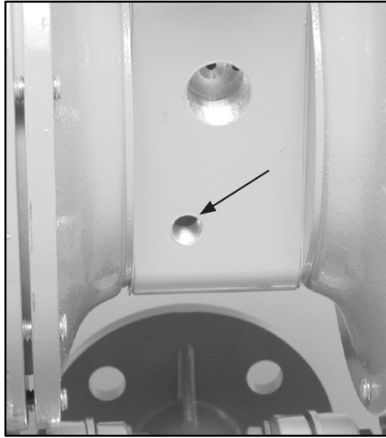
Step 15

Remove the air valve spool from the air valve body by threading one air valve bolt into the end of the air valve spool and gently sliding the spool out of the air valve body. Inspect seals for signs of wear and replace the entire air valve assembly, if necessary. Re-insert the spool immediately into the air valve body after inspection because the seals expand and cannot be reinserted after a length of time.

NOTE: Do not remove seals from the assembly. Seals are not sold separately.

DISASSEMBLY / REASSEMBLY

SINGLE-POINT EXHAUST



Step 1

Remove the pilot exhaust muffer in the pilot bleed port located at the front of the center block. Install 1/4" NPT pipe plug (00-7010-08) into the bleed port.

Step 2

Optional: Install a single-point exhaust gasket (04-2639-52). The single-point air valve gasket can be purchased as a spare part or included with the purchase of a new Pro-Flo SHIFT pump.

REASSEMBLY HINTS AND TIPS

Upon performing applicable maintenance to the air distribution system, the pump can now be reassembled. Please refer to the disassembly instructions for photos and parts placement.

To reassemble the pump, follow the disassembly instructions in reverse order. The air distribution system needs to be assembled first, then the diaphragms and finally the wetted path. The applicable torque specifications are on this page.

The following tips will assist in the assembly process:

- Lubricate the air valve bore, center section shaft and pilot spool bore with NLGI grade 2 white EP bearing grease or equivalent.
- Clean the inside of the center section shaft bore to ensure no damage is done to new shaft seals.
- A small amount of NLGI grade 2 white EP bearing grease can be applied to the muffer and air valve gaskets to lubricate gaskets during assembly.
- Make sure that the exhaust port on the muffer plate is centered between the two exhaust ports on the center section.
- Stainless bolts should be lubed to reduce the possibility of seizing during tightening.

Maximum Torque Specifications	
Description	Torque
Air Valve (Aluminum, Stainless Steel)	13.6 N·m (120 in-lb)
Air Valve (Polypropylene)	5.1 N·m (45 in-lb)
Air Chamber/Center Block	27.1 N·m (20 ft-lb)
Manifold/Liquid Chamber (SS/Alloy C)	50.2 N·m (37 ft-lb)
Manifold/Liquid Chamber (Aluminum/Ductile Iron)	74.6 N·m (55 ft-lb)
Liquid Chamber/Air Chamber (SS/Alloy C)	50.2 N·m (37 ft-lb)
Liquid Chamber/Air Chamber (Aluminum/Ductile Iron)	54.2 N·m (40 ft-lb)
Inner Piston Ring	19 N·m (14 ft-lb)
Outer Pistons, Rubber & PTFE	136 N·m (100 ft-lb)

DISASSEMBLY / REASSEMBLY

SHAFT SEAL INSTALLATION

Pre-Installation

After all the old seals have been removed, the inside of the bushing should be cleaned to ensure no debris is left that may cause premature damage to the new seals.

Installation

1. To prevent damaging the inside surface of the new seal, wrap electrical tape around each leg of the needle-nose pliers. (Heat shrink tubing may also be used.)
2. With a new seal in hand, place the two legs of the needle-nose pliers inside the seal ring. (See Figure A.)
3. Open the pliers as wide as the seal diameter will allow, then with two fingers pull down on the top portion of the seal to form a kidney bean shape. (See Figure B.)
4. Lightly clamp the pliers together to hold the seal into the kidney shape. Be sure to pull the seal into as tight of a kidney shape as possible. This will allow the seal to travel down the bushing bore with greater ease.
5. With the seal clamped in the pliers, insert the seal into the bushing bore and position the bottom of the seal into the correct groove. When the bottom of the seal is seated in the groove, release the clamp pressure on the pliers. This will allow the seal to partially snap back to its original shape.
6. After removing the pliers, you will notice a slight bump in the seal shape. Before the seal can be resized properly, the bump in the seal should be removed as much as possible. This can be done with either a Phillips screwdriver or your finger. With the side of the screwdriver or your finger, apply light pressure to the peak of the bump. This pressure will cause the bump to be eliminated almost completely.
7. Lubricate the edge of the shaft with NLGI grade 2 white EP bearing grease.
8. Slowly insert the center shaft with a rotating motion. This will complete the resizing of the seal.
9. Repeat these steps for the remaining seals.

Tools

The following tools can be used to aid in the installation of the new seals:

- Needle-Nose Pliers
- Phillips Screwdriver
- Electrical Tape

Figure A

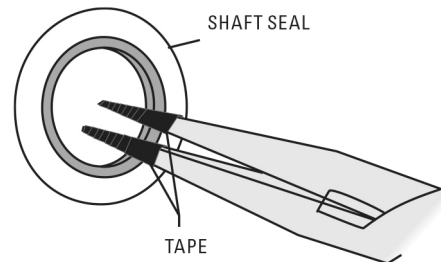
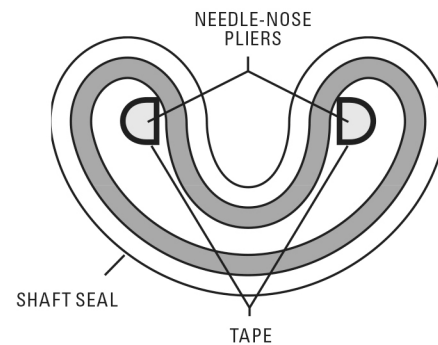


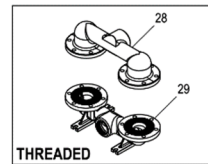
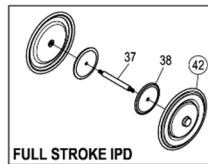
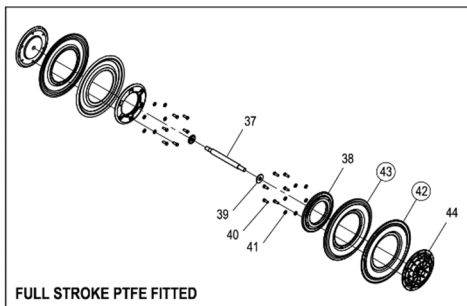
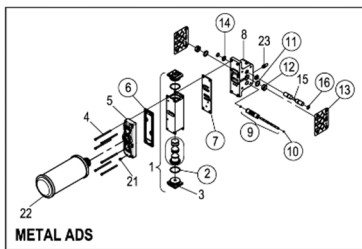
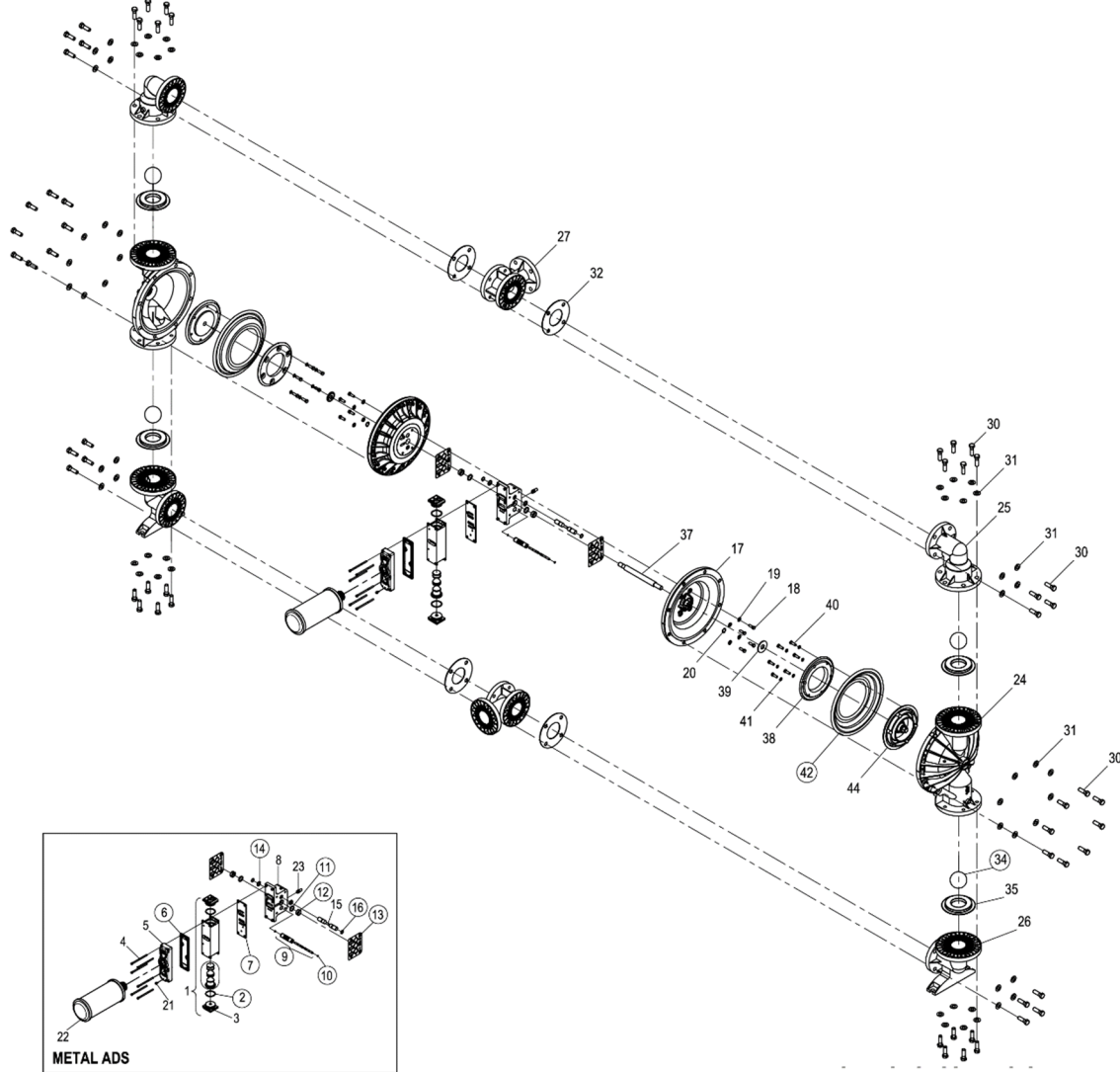
Figure B



SECTION 8

EXPLODED VIEW AND PARTS LIST

PS1520/PS1530 ALUMINUM



ALL CIRCLED PART IDENTIFIERS ARE INCLUDED IN REPAIR KITS

LW0042 REV. J

EXPLODED VIEW AND PARTS LIST

Item	Description	Qty.	Model Description	XPS1520/AAAAA/.../	XPS1530/AAAAA/.../
			P/N	P/N	P/N
Air Distribution Components					
1	Air Valve Assembly, Pro-Flo Shift ¹	1			04-2039-01
2	O-Ring, End Cap (-225, Ø1.859" x Ø.139")	2			04-2390-52-700
3	End Cap	2			04-2340-01
4	Screw, SHC, Air Valve (1/4"-20 x 4-1/2")	6			01-6000-03
5	Muffler Plate, Pro-Flo Shift	1			04-3189-01
6	Gasket, Muffler Plate, Pro-Flo Shift	1			04-3509-56
7	Gasket, Air Valve, Pro-Flo Shift	1			04-2639-56
8	Center Block Assembly, Pro-Flo Shift ²	1			15-3129-01
9	Pilot Sleeve Assembly	1			15-3884-99
10	O-Ring, Pilot Spool Retaining (-009, Ø.208" x Ø.070")	2			04-2650-49-700
11	Seal, Shaft	2			15-3210-55-225
12	Bushing, Shaft	2			15-3306-13
13	Gasket, Center Block Pro-Flo Shift	2			04-3529-56
14	Seal, Air Control Spool	2			04-3219-49
15	Air Control Spool	1			15-3859-13
16	O-Ring, Air Control Spool Retaining (-114, Ø.612" x Ø.103")	2			04-3879-50
17	Air Chamber, Pro-Flo V	2			15-3691-01
18	Screw, HHC (3/8"-16 x 1-1/8")	8			15-6130-08
19	Washer, Flat (Ø.406" x Ø.812" x .065")	8			15-6740-08-50
20	Retaining Ring	2			04-3890-03
21	Grounding Screw, (10-32 x 1/2") Self Tapping	1			04-6345-08
22	Muffler 1-1/2" MNPT	1			04-3518-99R
23	Muffler 1/4" MNPT	1			04-3240-07
Wetted Path Components					
24	Liquid Chamber, Bolted	2			15-4980-01
25	Discharge Elbow, Bolted	2			15-5250-01
26	Inlet Elbow, Bolted	2			15-5210-01
27	T-Section, Bolted (ANSI)	2			15-5180-01
	T-Section, Bolted (DIN)	2			15-5185-01
28	Manifold, Discharge (NPT)	1	15-5035-01		
	Manifold, Discharge (BSPT)	1	15-5036-01		
29	Manifold, Inlet (NPT)	1	15-5095-01		
	Manifold, Inlet (BSPT)	1	15-5096-01		
30	Screw, HHC (5/8"-11 x 2")	40	15-6180-08		
	Screw, HHC (5/8"-11 x 2")	56			15-6180-08
31	Washer, Flat (Ø.656" x Ø1.312" x .095")	40	15-6732-08		
	Washer, Flat (Ø.656" x Ø1.312" x .095")	56			15-6732-08
Gaskets/Valve Balls/Valve Seats/Valve O-Rings					
32	T-Section Gasket	4			*
33	Manifold Gasket, PTFE Fitted (not shown)	4			15-1405-55
34	Ball, Valve	4			*
35	Seat, Valve	4			*
36	O-Ring, Valve Seat PTFE Fitted (-250, Ø4.984" x Ø.139") (Not Shown)	4			*
Full Stroke Rubber/TPE/PTFE Components					
37	Shaft	1			15-3805-03
	Shaft, IPD	1			15-3814-03
38	Piston, Inner	2			15-3700-01
	Piston, IPD Inner	2			08-3700-01
39	Washer, Inner Piston Back-up	2			15-6850-08
40	Inner Piston Screw, HHC (3/8"-16 x 1-1/8")	12			15-6130-08
41	Inner Piston Washer (Ø.406" x Ø.812" x .065")	12			15-6740-08-50
42	Diaphragm, Primary	2			*
	Diaphragm, IPD Primary	2			*
43	Diaphragm, Back-Up	2			*
44	Piston, Outer	2			15-4550-01

LW0049 REV. T

* See elastomer chart - Section 9

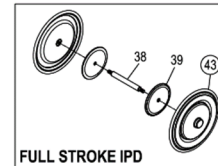
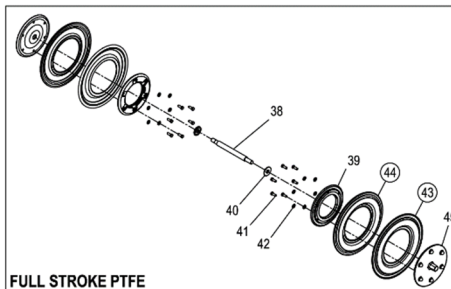
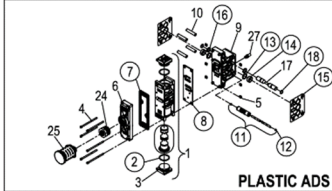
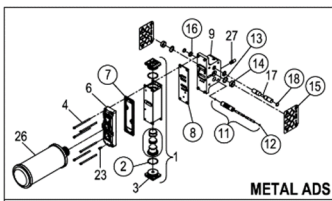
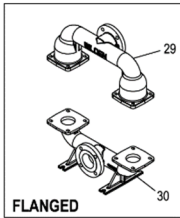
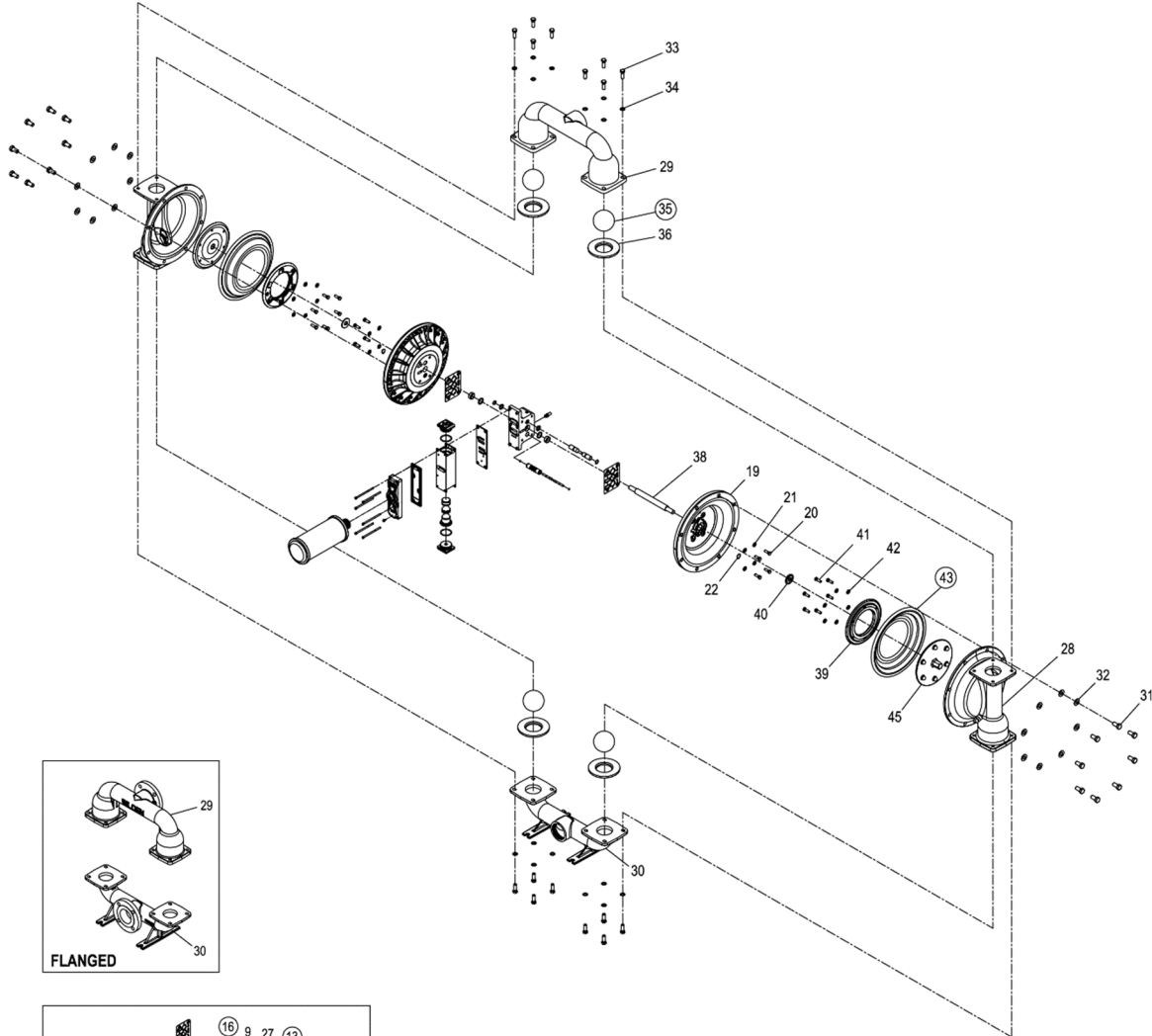
¹ Air Valve Assembly includes items 2 and 3.

² Metal Center Block Assembly includes item 11, 12, 14, 15 and 16.

All boldface items are primary wear parts.

EXPLODED VIEW AND PARTS LIST

PS1520/PS1530 METAL



ALL CIRCLED PART IDENTIFIERS ARE INCLUDED IN REPAIR KITS

LW0041 REV. J

EXPLODED VIEW AND PARTS LIST

Model Description		XPS1520/1530/SSAA A.../	XPS1520/1530/SSSS L.../	PS1520/1530/SSSPP/ .../	XPS1520/1530/WWAA A.../	PS1520/1530/WWAPP L.../	XPS1520/1530/HHAA A.../	XPS1520/1530/HHSS L.../	
Item	Description	Qty.	P/N	P/N	P/N	P/N	P/N	P/N	
Air Distribution Components									
1	Air Valve Assembly, Pro-Flo Shift ¹	1	04-2039-01	04-2039-03	04-2039-20	04-2039-01	04-2039-20	04-2039-01	
2	O-Ring, End Cap (-225, Ø1.859" x Ø.139")	2	04-2390-52-700						
3	End Cap	2	04-2340-01	04-2340-03	04-2330-20-700	04-2340-01	04-2330-20-700	04-2340-01	
4	Screw, SHC, Air Valve (1/4"-20 x 4-1/2")	6	01-6000-03						
5	Nut, Square (1/4"-20)	6	00-6505-03						
6	Muffler Plate, Pro-Flo Shift	1	04-3189-01	04-3189-03	04-3189-20	04-3189-01	04-3189-20	04-3189-01	
7	Gasket, Muffler Plate, Pro-Flo Shift	1	04-3509-56						
8	Gasket, Air Valve, Pro-Flo Shift	1	04-2639-56						
9	Center Block Assembly, Pro-Flo Shift ^{2,3}	1	15-3129-01	15-3129-03	15-3129-20	15-3129-01	15-3129-20	15-3129-01	
10	Sleeve, Threaded, Center Block	4	04-7710-08						
11	Pilot Sleeve Assembly	1	15-3884-99						
12	O-Ring, Pilot Spool Retaining (-009, Ø.208" x Ø.070")	2	04-2650-49-700						
13	Seal, Shaft	2	15-3210-55-225						
14	Bushing, Shaft	2	15-3306-13						
15	Gasket, Center Block Pro-Flo Shift	2	04-3529-56						
16	Seal, Air Control Spool	2	04-3219-49						
17	Air Control Spool	1	15-3859-13						
18	O-Ring, Air Control Spool Retaining (-114, Ø.612" x Ø.103")	2	04-3879-50						
19	Air Chamber, Pro-Flo V	2	15-3691-01	15-3690-03		15-3691-01		15-3690-03	
20	Screw, HHC (3/8"-16 x 1-1/8")	8	15-6130-08			15-6130-08		15-6130-08	
	Screw, HHC (3/8"-16 x 1")	8	08-6130-03				08-6130-03		
21	Washer, Flat (Ø.406" x Ø.812" x .065")	8	15-6740-08-50	04-6740-03		15-6740-08-50		15-6740-08-50	
22	Retaining Ring	2	04-3890-03						
23	Grounding Screw, (10-32 x 1/2") Self Tapping	1	04-6345-08		04-6345-08		04-6345-08		
24	Bushing, Reducer 1-1/2" MNPT to 1" FNPT	1			04-6959-17		04-6959-17		
25	Muffler 1" MNPT	1			15-3514-99		15-3514-99		
26	Muffler 1-1/2" MNPT	1	04-3518-99R	04-3513-99		04-3518-99R		04-3513-99	
27	Muffler 1/4" MNPT	1	04-3240-07						
Wetted Path Components									
28	Liquid Chamber, Bolted	2	15-5006-03		15-5006-02		15-5006-04		
29	Manifold, Discharge (NPT)	1	15-5035-03		15-5035-02		15-5035-04		
	Manifold, Discharge (BSPT)	1	15-5036-03		15-5036-02		15-5036-04		
	Manifold, Discharge (ANSI)	1	15-5045-03		15-5045-02		15-5045-04		
	Manifold, Discharge (DIN)	1	15-5046-03		15-5046-02		15-5046-04		
30	Manifold, Inlet (NPT)	1	15-5095-03		15-5095-02		15-5095-04		
	Manifold, Inlet (BSPT)	1	15-5096-03		15-5096-02		15-5096-04		
	Manifold, Inlet (ANSI)	1	15-5125-03		15-5125-02		15-5125-04		
	Manifold, Inlet (DIN)	1	15-5126-03		15-5126-02		15-5126-04		
31	Screw, HHC (5/8"-11 x 2")	16	15-6180-03		15-6180-08		15-6180-03		
32	Spring, Disk (5/8")	16	15-6820-03				15-6820-03		
	Washer (Ø.656" x Ø1.312" x .095")	32			15-6732-08				
33	Screw, HHC (1/2"-13 x 1-1/2")	16	04-6180-03				04-6180-03		
	Screw, HHC (5/8"-11 x 1-1/2")	16			15-6188-08				
34	Spring, Disk (1/2")	16	15-6810-03				15-6810-03		
Gaskets/Valve Balls/Valve Seats/Valve O-Rings									
35	Ball, Valve	4							*
36	Seat, Valve	4							*
37	O-Ring, Valve Seat PTFE Fitted (-358, Ø5.600" x Ø.210") (not shown)	4							*
Full Stroke Rubber/TPE/PTFE Components									
38	Shaft	1	15-3805-03						
	Shaft, IPD	1	15-3814-03						
39	Piston, Inner	2	15-3700-01	15-3700-03		15-3700-01		15-3700-03	
	Piston, IPD Inner	2	08-3700-01	08-3700-03		08-3700-01		08-3700-03	
40	Washer, Inner Piston Back-up	2	15-6850-08						
41	Screw, HHC (3/8"-16 x 1-1/8")	12	15-6130-08			15-6130-08		15-6130-08	
	Screw, HHC (3/8"-16 x 1")	12	08-6130-03				08-6130-03		
42	Washer (Ø.406" x Ø.812" x .065")	12	15-6740-08-50	04-6740-03		15-6740-08-50		15-6740-08-50	
43	Diaphragm, Primary	2							*
	Diaphragm, IPD Primary	2							*
44	Diaphragm, Back-Up	2							*
45	Piston, Outer	2	15-4550-03		15-4550-02		15-4550-04		

* See elastomer chart - Section 9

² Metal Center Block Assembly includes item 13, 14 and 16. All boldface items are primary wear parts.

¹ Air Valve Assembly includes items 2 and 3.

³ Plastic Center Block Assembly includes item 10, 13, 14 and 16.

SECTION 9
ELASTOMER OPTIONS
PS1520/PS1530 ALUMINUM

MATERIAL	DIAPHRAGM (2)	FULL-STROKE DIAPHRAGMS (2)	FULL-STROKE BACK-UP DIAPHRAGMS (2)	EZ-INSTALL DIAPHRAGMS (2)	FULL-STROKE IPD DIAPHRAGMS (2)	VALVE BALLS (4)	VALVE SEATS (4)	VALVE SEAT O-RING (4)	T-SECTION GASKET (4)
Polyurethane				15-1022-50		15-1080-50	15-1126-50		
Neoprene	15-1010-51					15-1080-51	15-1126-51		15-1325-51
Buna-N	15-1010-52					15-1080-52	15-1126-52		15-1325-52
Geolast				15-1022-15					
EPDM	15-1010-54					15-1080-54	15-1126-54		15-1325-54
FKM	15-1010-53					15-1080-53			
Full Stroke PTFE		15-1040-55-42				15-1080-55		15-1205-55 ¹	15-1325-55
Non-Food Grade Saniflex					15-1031-46				
Saniflex			15-1065-56	15-1022-56	15-1031-56	15-1080-56	15-1126-56		
FDA Wil-Flex			15-1065-57	15-1022-57	15-1031-57	15-1080-57	15-1126-57		15-1325-57
Wil-Flex				15-1022-58	15-1031-58	15-1080-58	15-1126-58		15-1325-58
Stainless Steel							15-1125-03		

¹Used in conjunction with metallic valve seat

LW0049 REV. T

PS1520/PS1530 METAL

MATERIAL	DIAPHRAGM (2)	FULL-STROKE DIAPHRAGMS (2)	FULL-STROKE BACK-UP DIAPHRAGMS (2)	EZ-INSTALL DIAPHRAGMS (2)	FULL-STROKE IPD DIAPHRAGMS (2)	VALVE BALLS (4)	VALVE SEATS (4)	VALVE SEAT O-RING (4)
Polyurethane				15-1022-50				
Neoprene	15-1010-51					15-1085-51	15-1128-51	
Buna-N	15-1010-52					15-1085-52	15-1128-52	
Geolast				15-1022-15				
EPDM	15-1010-54					15-1085-54	15-1128-54	
FKM	15-1010-53					15-1085-53	15-1128-53	
PTFE		15-1040-55-42				15-1085-55		15-1209-55 ¹
Non-Food Grade Saniflex					15-1031-46			
Saniflex			15-1065-56	15-1022-56	15-1031-56	15-1085-56	15-1128-56	
FDA Wil-Flex			15-1065-57	15-1022-57	15-1031-57	15-1085-57	15-1128-57	
Wil-Flex				15-1022-58	15-1031-58	15-1085-58	15-1128-58	
Mild Steel							15-1129-08	
Stainless Steel							15-1129-03	
Alloy C							15-1129-04	

¹Used in conjunction with metallic valve seat

LW0051 REV. V



NOTES



NOTES

WILDEN®

PSG
22069 Van Buren Street
Grand Terrace, CA 92313-5651 USA
P: +1 (909) 422 -1730
psgdover.com



Where Innovation Flows

Copyright 2021 PSG®, a Dover® Company
PSG® reserves the right to modify the information and illustrations contained in this document without prior notice. This is a non-contractual document.